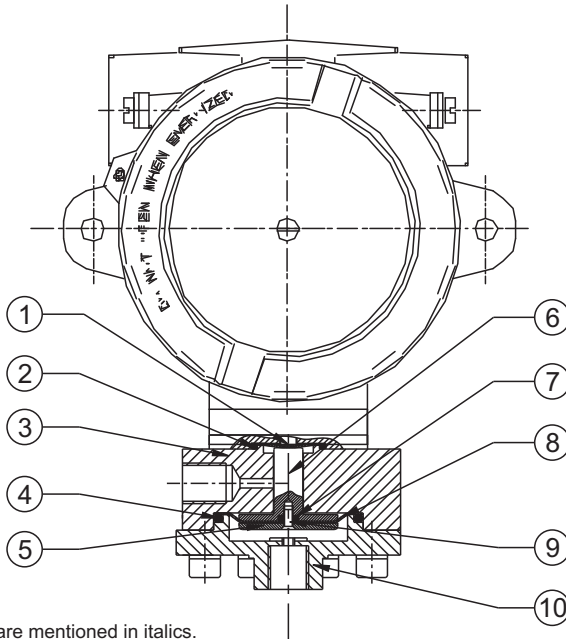




FE



PRESSURE CAPSULE DETAILS

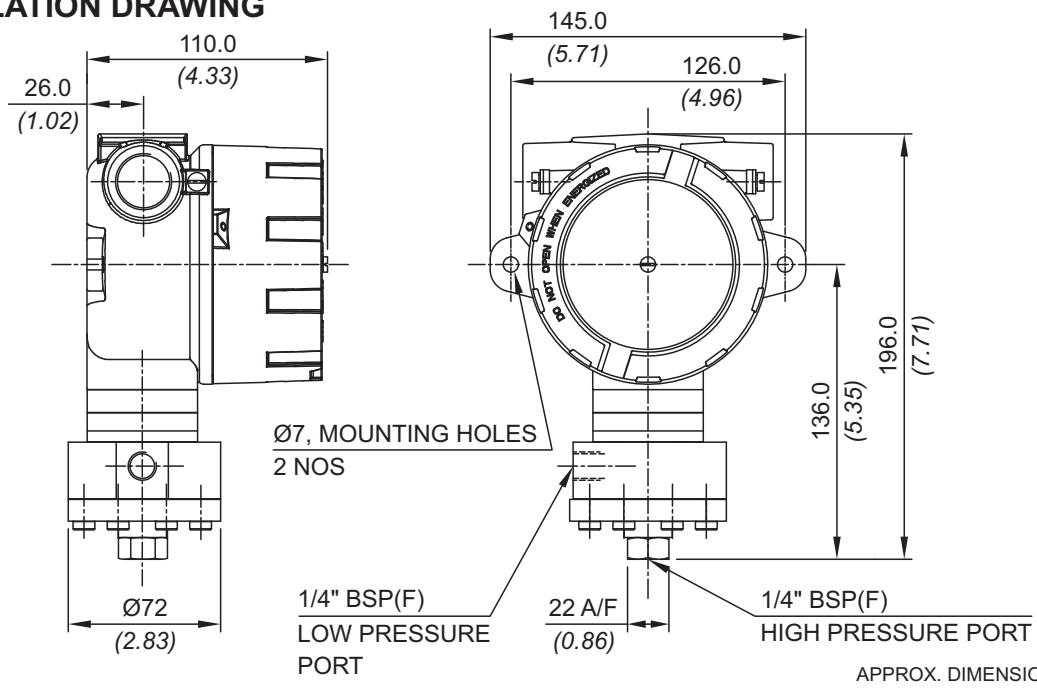


No. Description

1. Sealing Diaphragm (Teflon)
2. Sealing O Ring (Teflon)
3. Disc
4. Sealing O Ring
5. HP Plunger
6. LP Plunger
7. O Ring
8. Diaphragm
9. Csk. Screw (S.S.)
10. Pressure Housing

Note : *wetted parts* are mentioned in italics.

INSTALLATION DRAWING



APPROX. DIMENSIONS IN $\frac{\text{mm}}{\text{inches}}$