

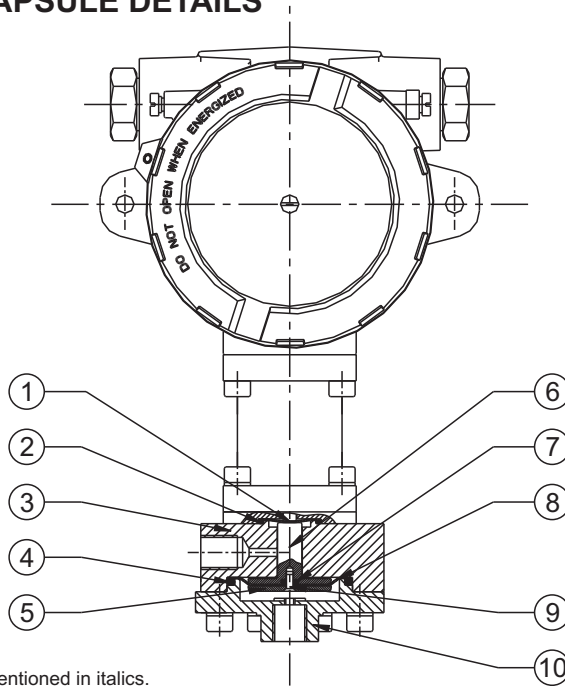
FC/FE HIGH PROOF HIGH RANGE PRESSURE DIFFERENCE SWITCHES



FC



PRESSURE CAPSULE DETAILS



No. Description

1. Sealing Diaphragm (Teflon)
2. Sealing O Ring (Teflon)
3. Disc
4. Sealing O Ring
5. HP Plunger
6. LP Plunger
7. O Ring
8. Diaphragm
9. Csk. Screw (S.S.)
10. Pressure Housing

Note : wetted parts are mentioned in italics.

INSTALLATION DRAWING

