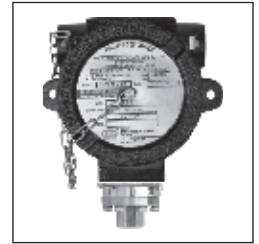
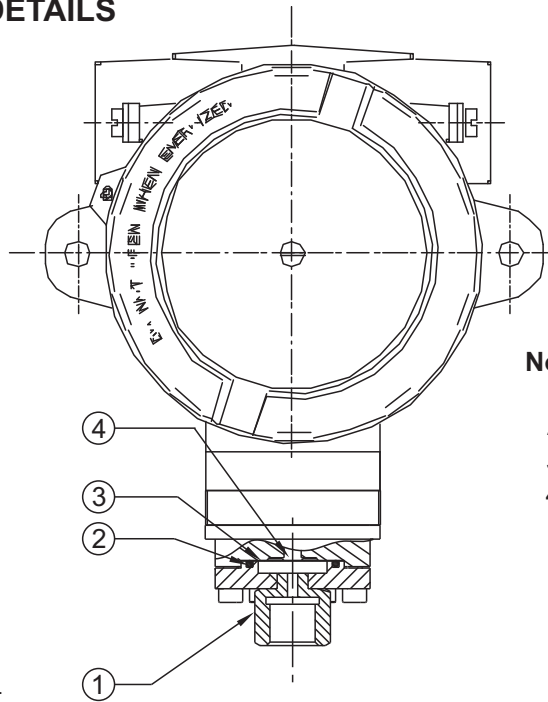




FE



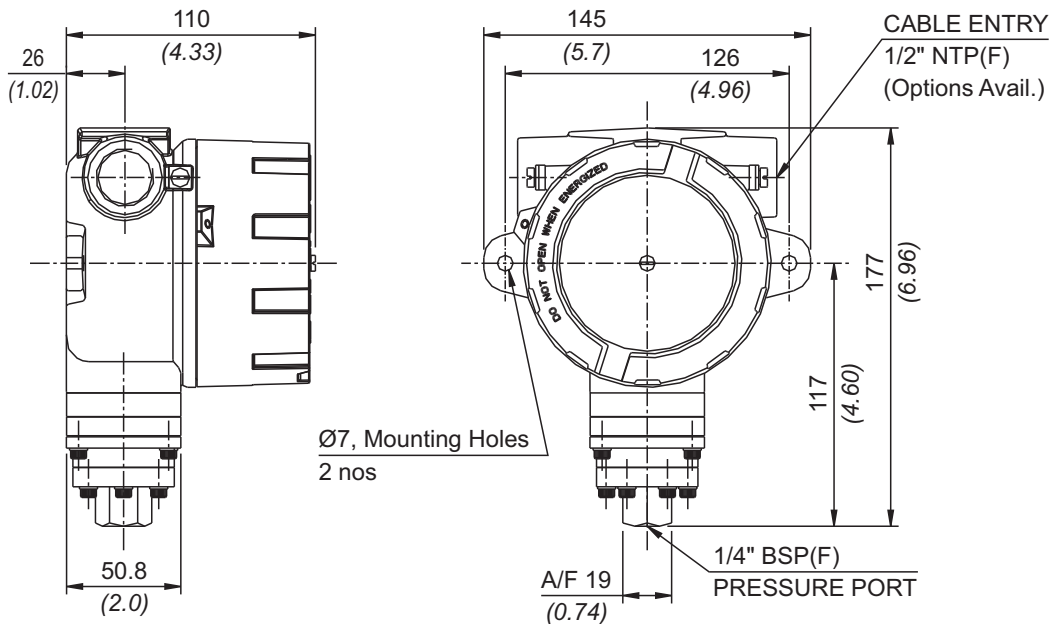
PRESSURE CAPSULE DETAILS



- No. Description**
1. Pressure Port
 2. PTFE O-Ring
 3. Diaphragm
 4. Conical Plunger

Note : *wetted parts* are mentioned in italics.

INSTALLATION DRAWING



APPROX. DIMENSIONS IN $\frac{\text{mm}}{\text{inches}}$

FE HYDRAULIC RANGES

RANGE SELECTION TABLE

Range Code	Range bar (psi)	Differential* bar (psi)	Maximum Working Pressure bar (psi)
		Approximate Maximum for "A1" microswitch	
H1T	0.5 - 10 (7.25 - 145.04)	0.5 (7.25)	150 (2175.00)
H2T	2 - 20 (29.00 - 290.08)	2 (29.00)	200 (2900.76)
H4T	5 - 40 (72.52 - 580.15)	5 (72.52)	200 (2900.76)
H1H	10 - 100 (145.04 - 1450.38)	12 (174.045)	200 (2900.76)
H2H	7 - 200 (101.53 - 2900.76)	24 (348.09)	400 (5801.52)
H4H	40 - 400 (580.15 - 5801.52)	70 (1015.27)	500 (7251.90)
H7H	70 - 700 (1015.00 - 10150.00)	100 (1450.00)	1000 (14500.00)

* Minimum differential increases with setpoint (Graphs available on request)

* Differentials of microswitches A2 through A9 will vary. Differentials for A7 are typically twice that for A1 microswitch. Please indicate specifically the differential value in enquiry/order, when it is critical in your application.

Note : Ranges are quoted for rising set point unless specified otherwise.

All ranges can start from 0 bar to FSR for falling set point.

HOW TO ORDER FLAMEPROOF HYDRAULIC RANGE PRESSURE SWITCHES

HYDRAULIC RANGES



Group 1	Group 2	Group 3	Group 4	Group 5	Group 6	Group 7	Group 8
Non standard allocation <input type="checkbox"/> Reserved for non-standard options not covered in catalogue. Will be given by manufacturer, only after agreement of supply details with customer.	Model FE = IP66 Flameproof pressure switch, PESO approved	Cable Entry Size 1 = Al. head 1/2" NPT threads 2 = Al. head 3/4" NPT threads 3 = Al. head M20 x 1.5 threads *4 = Grey Cl head 1/2" NPT threads *5 = Grey Cl head 3/4" NPT threads *6 = Grey Cl head M20 x 1.5 threads *7 = SS head 1/2" NPT threads *8 = SS head 3/4" NPT threads *9 = SS head M20 x 1.5 threads * Not available in FE models	Switch Type P1 = pressure switch, fixed differential without scale P2 = pressure switch, fixed differential with scale in bar P3 = pressure switch, fixed differential with scale in psi	Range Code (values in bar) H1T = (0.5 - 10) H2T = (2 - 20) H4T = (5 - 40) H1H = (10 - 100) H2H = (7 - 200) H4H = (40 - 400) H7H = (70 - 700)	Microswitch Type A1 = General purpose microswitch rated at 15 A; 250 VAC *A2 = Hermetically sealed for corrosive environments *A3 = gold plated contacts for low voltage applications *A5 = for high DC ratings *A6 = elements with adjustable deadband *A7 = 2SPDT switching elements *A8 = General purpose microswitch rated at 5 A; 250 VAC *A9 = General purpose microswitch rated at 5 A; 250 VAC Please refer Page No. 116 for Microswitch options * Please refer note under Range Selection Table	Pressure Port Material / Size S1 = SS316 / 1/4" BSP(F) S2 = SS316 / 1/4" NPT(F)	Diaphragm 0 = Neoprene 1 = Teflon 2 = SS 316L 3 = Hastelloy C 4 = Monel 5 = Titanium 6 = Tantalum 7 = Inconel

eg. A flameproof switch for gas group IIC, with 1/2" NPT cable entry in aluminium housing as 1SPDT pressure switch, having 5 bar to 40 bar pressure range, with 15Amp. microswitch, SS316 pressure housing with 1/4" BSP port size & SS316L diaphragm shall be specified by

Group 1	Group 2	Group 3	Group 4	Group 5	Group 6	Group 7	Group 8
<input type="checkbox"/>	FE	1	P1	H4T	A1	S1	2

Please specify full model number to avoid ambiguity. If only the first two groups are specified while ordering, uncalibrated switches with standard wetted parts and enclosures will be supplied.