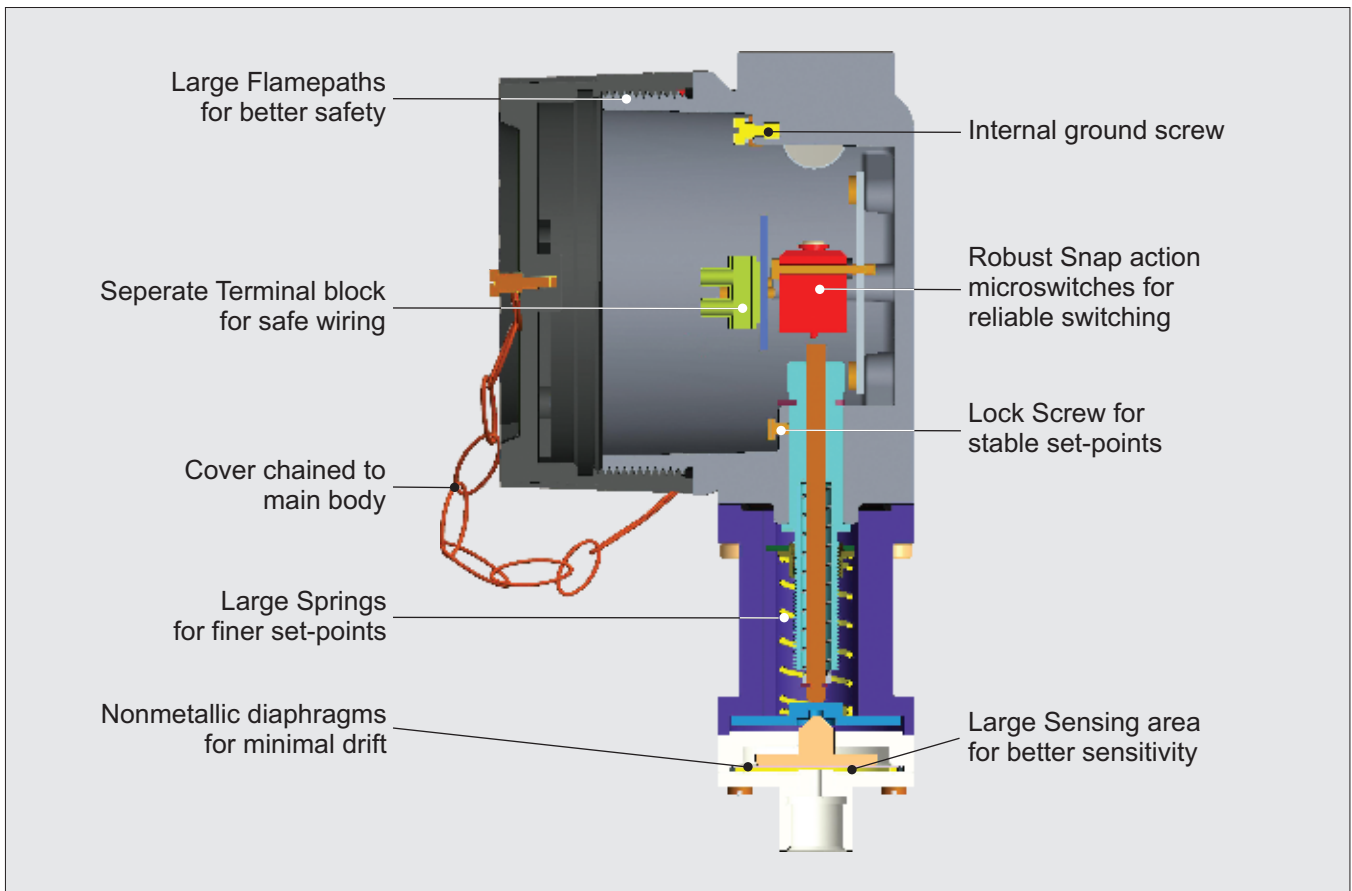


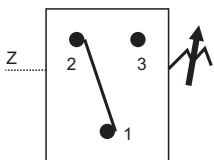
# FC HIGH PRESSURE RANGES



## Approximate Weight :

Pressure switches with Aluminium enclosure : 1.87 Kg.  
 Pressure switches with Grey CI enclosure : 4.27 Kg.  
 Pressure switches with SS enclosure : 4.42 Kg.

## Electrical Connection :

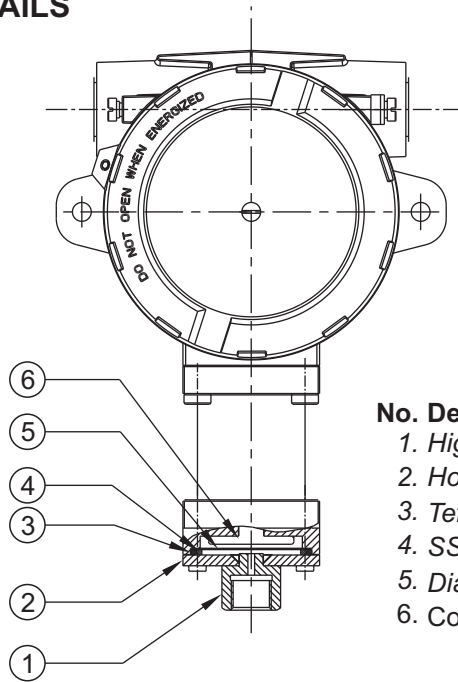


## Some Applications :

Used in hazardous areas for applications like fire fighting systems, LPG bottling plants, etc. For any type of corrosive and non-corrosive gases and fluids.



## PRESSURE CAPSULE DETAILS

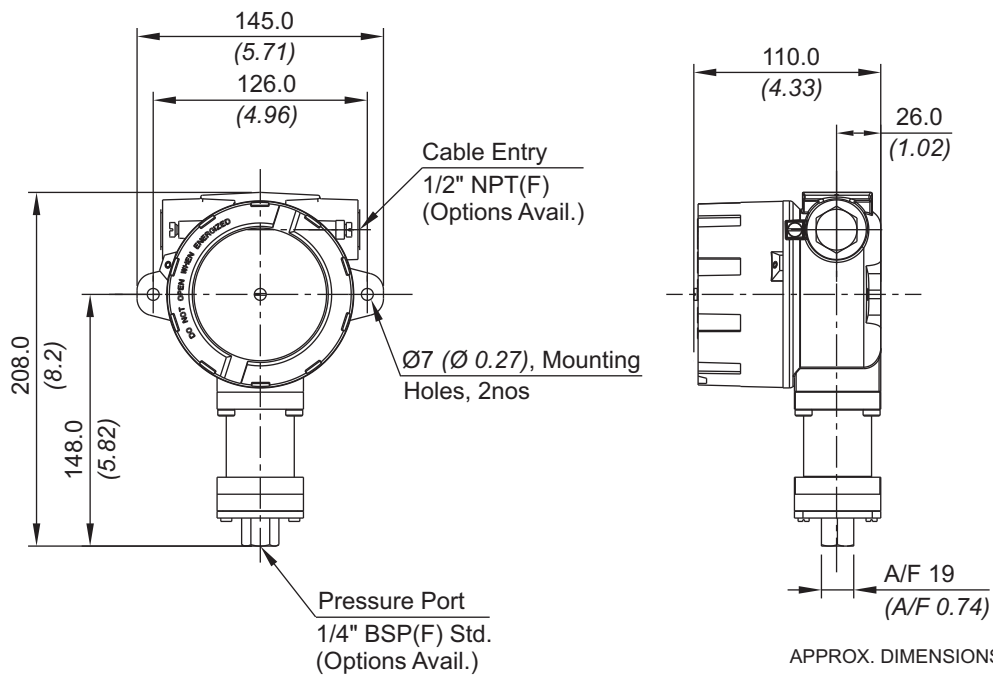


### No. Description

1. High Pressure Port (SS316)
2. Housing Plate (SS316)
3. Teflon® O-Ring
4. SS 316 Ring
5. Diaphragm (Teflon®)
6. Conical Plunger

Note : *wetted parts* are mentioned in italics.

## INSTALLATION DRAWING



# FC HIGH PRESSURE RANGES

## RANGE SELECTION TABLE

Range Code	Range bar (psi)	Differential* bar (psi)	Maximum Working Pressure bar (psi)
		Approximate Maximum for "A1" microswitch	
LP	0.067 - 0.213 (0.97 - 3.09)	0.02 (0.29)	5 (72.52)
LP5	0.1 - 0.5 (1.45 - 7.25)	0.08 (1.16)	5 (72.52)
H01	0.1 - 1.0 (1.45 - 14.50)	0.10 (1.45)	12 (174.05)
H02	0.1 - 1.5 (1.45 - 21.76)	0.12 (1.74)	12 (174.05)
H03	0.2 - 2.6 (2.90 - 37.71)	0.15 (2.17)	12 (174.05)
H04	0.2 - 3.6 (2.90 - 52.21)	0.20 (2.90)	12 (174.05)
H07	0.5 - 7.0 (7.25 - 101.50)	0.20 (2.90)	12 (174.05)
H10	0.5 - 10.0 (7.25 - 145.037)	0.40 (5.80)	25 (362.6)
H15	1.0 - 15.0 (14.5 - 217.56)	0.50 (7.25)	25 (362.6)
H30	5.0 - 25.0 (72.52 - 362.6)	1.0 (14.5)	35 (507.63)

\*Minimum differential increases with setpoint, values with neoprene diaphragm (Graphs available on request)

\* Differentials of microswitches A2 through A9 will vary. Differentials for A7 are typically twice that for A1 microswitch. Please indicate specifically the differential value in enquiry/order, when it is critical in your application.

## HOW TO ORDER FLAMEPROOF HIGH RANGE PRESSURE SWITCHES

Group 1	Group 2	Group 3	Group 4	Group 5	Group 6	Group 7	Group 8
Non standard allocation	Gas Group Classification	Cable Entry Size	Switch Type	Range Code (values in bar)	Microswitch Type	Pressure Port Material / Size	Diaphragm
<input type="checkbox"/> Reserved for non-standard options not covered in catalogue. Will be given by manufacturer, only after agreement of supply details with customer.	<b>FC =</b> Flameproof pressure switch, ATEX & IECEx approved, with Aluminium head as per IS/IEC 60079-1 for Gas Gr. IIC	<b>1 =</b> Al. head 1/2" NPT threads <b>2 =</b> Al. head 3/4" NPT threads <b>3 =</b> Al. head M20 x 1.5 threads <b>4 =</b> Grey CI head 1/2" NPT threads <b>5 =</b> Grey CI head 3/4" NPT threads <b>6 =</b> Grey CI head M20 x 1.5 threads <b>7 =</b> SS head 1/2" NPT threads <b>8 =</b> SS head 3/4" NPT threads <b>9 =</b> SS head M20 x 1.5 threads	<b>P1 =</b> pressure switch, fixed differential without scale <b>P2 =</b> pressure switch, fixed differential with scale in bar <b>P3 =</b> pressure switch, fixed differential with scale in psi	<b>LP =</b> (0.067 - 0.213) <b>LP5 =</b> (0.1 - 0.5) <b>H01 =</b> (0.1 - 1.0) <b>H02 =</b> (0.1 - 1.5) <b>H03 =</b> (0.2 - 2.6) <b>H04 =</b> (0.2 - 3.6) <b>H07 =</b> (0.5 - 7.0) <b>H10 =</b> (0.5 - 10.0) <b>H15 =</b> (1.0 - 15.0) <b>H30 =</b> (5.0 - 25.0)	<b>A1 =</b> General purpose microswitch rated at 15 A; 250 VAC <b>A2 =</b> Hermetically sealed for corrosive environments <b>A3 =</b> gold plated contacts for low voltage applications <b>A4 =</b> DPDT configuration <b>A5 =</b> for high DC ratings <b>A6 =</b> elements with adjustable deadband <b>A7 =</b> 2SPDT switching elements <b>A9 =</b> General purpose microswitch rated at 5 A; 250 VAC  Please refer page no. 230 for more microswitch options * Please refer note under Range Selection Table	<b>S1 =</b> SS316 / 1/4" BSP(F) <b>S2 =</b> SS316 / 1/4" NPT(F) <b>H1 =</b> Hastelloy C / 1/4" BSP(F) <b>H2 =</b> Hastelloy C / 1/4" NPT(F) <b>N1 =</b> Monel / 1/4" BSP(F) <b>N2 =</b> Monel / 1/4" NPT(F)	<b>0 =</b> Neoprene <b>1 =</b> Teflon <b>2 =</b> SS 316L <b>3 =</b> Hastelloy C <b>4 =</b> Monel <b>5 =</b> Titanium <b>6 =</b> Tantalum <b>7 =</b> Inconel

eg. A flameproof switch for gas group IIC, with 1/2" NPT cable entry in aluminium housing as 1SPDT pressure switch, having 0.1 bar to 1 bar pressure range, with 15Amp. microswitch, SS316 pressure housing with 1/4" BSP port size & neoprene diaphragm shall be specified by

Group 1	Group 2	Group 3	Group 4	Group 5	Group 6	Group 7	Group 8
<input type="checkbox"/>	FC	1	P1	H01	A1	S1	0

Please specify full model number to avoid ambiguity. If only the first two groups are specified while ordering, uncalibrated switches with standard wetted parts and enclosures will be supplied.