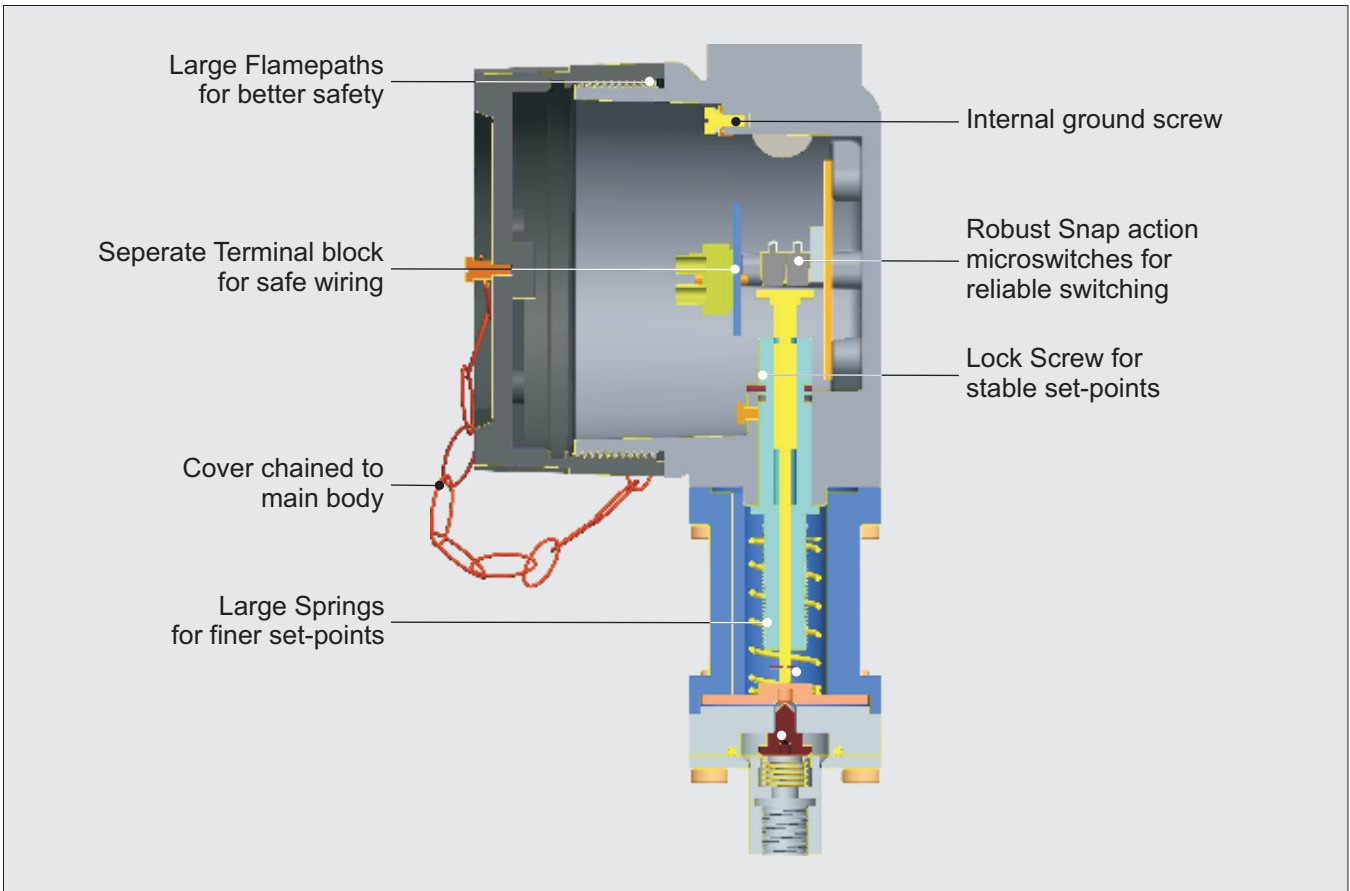


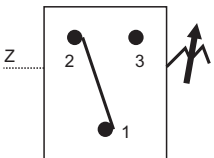
FC COMPOUND RANGE SWITCHES



Approximate Weight :

- Pressure switches with Aluminium enclosure : 2.0 Kg.
- Pressure switches with Grey CI enclosure : 4.5 Kg.
- Pressure switches with SS enclosure : 4.6 Kg.

Electrical Connection :

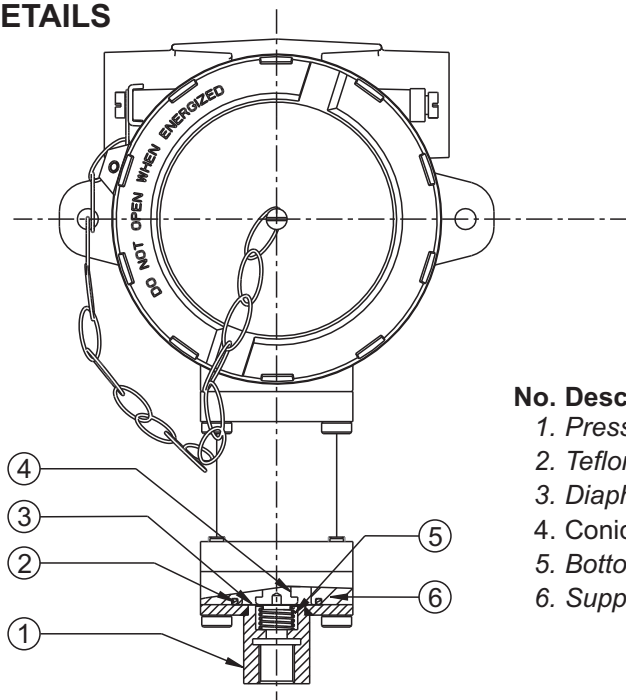


Some Applications :

Where the set point can vary from vacuum(-ve) pressure to +ve pressure.



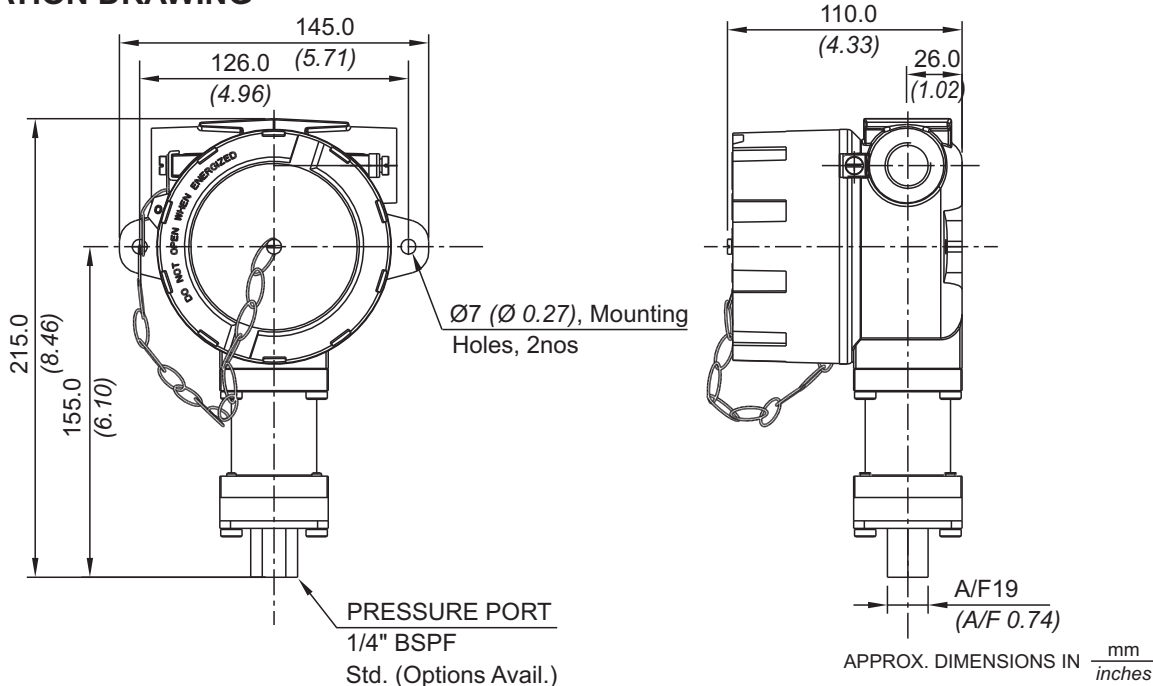
PRESSURE CAPSULE DETAILS



- No. Description**
1. Pressure Housing
 2. Teflon® O-Ring
 3. Diaphragm
 4. Conical Plunger
 5. Bottom Spring
 6. Support Plate

Note : *wetted parts* are mentioned in italics.

INSTALLATION DRAWING



FC COMPOUND RANGE SWITCHES

RANGE SELECTION TABLE

Range Code	Range bar (psi)	Differential* bar (psi)	Maximum Working Pressure bar (psi)
		Approximate Maximum for "A1" microswitch	
C01	-1 to 1.0 (-14.50 - 14.50)	0.2 (2.90)	12 (174.05)
C03	-1 to 2.6 (-14.50 - 37.71)	0.6 (8.702)	12 (174.05)
C04	-1 to 3.6 (-14.50 - 52.21)	0.8 (11.603)	12 (174.05)

* Minimum differential increases with setpoint (Graphs available on request)

* Differentials of microswitches A2 through A9 will vary. Differentials for A7 are typically twice that for A1 microswitch. Please indicate specifically the differential value in enquiry/order, when it is critical in your application.

HOW TO ORDER FLAMEPROOF COMPOUND RANGE SWITCHES

Group 1	Group 2	Group 3	Group 4	Group 5	Group 6	Group 7	Group 8
Non standard allocation	Gas Group Classification	Cable Entry Size	Switch Type	Range Code (values in bar)	Microswitch Type	Pressure Port Material / Size	Diaphragm
<input type="checkbox"/> Reserved for non-standard options not covered in catalogue. Will be given by manufacturer, only after agreement of supply details with customer.	FC = Flameproof pressure switch, ATEX & IECEx approved, with Aluminium head as per IS/IEC 60079-1 for Gas Gr. IIC	1 = Al. head 1/2" NPT threads 2 = Al. head 3/4" NPT threads 3 = Al. head M20 x 1.5 threads 4 = Grey CI head 1/2" NPT threads 5 = Grey CI head 3/4" NPT threads 6 = Grey CI head M20 x 1.5 threads 7 = SS head 1/2" NPT threads 8 = SS head 3/4" NPT threads 9 = SS head M20 x 1.5 threads	C1 = compound switch, fixed differential without scale	C01 = (-1 to 1.0) C03 = (-1 to 2.6) C04 = (-1 to 3.6)	A1 = General purpose microswitch rated at 15A; 250 VAC A2 = Hermetically sealed for corrosive environments A3 = gold plated contacts for low voltage applications A4 = DPDT configuration A5 = for high DC ratings A6 = elements with adjustable deadband A7 = 2SPDT switching elements A9 = General purpose microswitch rated at 5A; 250 VAC Please refer page no. 230 for more microswitch options * Please refer note under Range Selection Table	S1 = SS316 / 1/4" BSP(F) S2 = SS316 / 1/4" NPT(F)	0 = Neoprene 1 = Teflon

eg. A flameproof switch for gas group IIC, with 1/2" NPT cable entry in aluminium housing as 1SPDT pressure switch, having -1 bar to +1 bar pressure range, with 15Amp. microswitch, SS316 pressure housing with 1/4" BSP port size & Neoprene diaphragm shall be specified by

Group 1	Group 2	Group 3	Group 4	Group 5	Group 6	Group 7	Group 8
<input type="checkbox"/>	FC	1	C1	C01	A1	S1	0

Please specify full model number to avoid ambiguity. If only the first two groups are specified while ordering, uncalibrated switches with standard wetted parts and enclosures will be supplied.