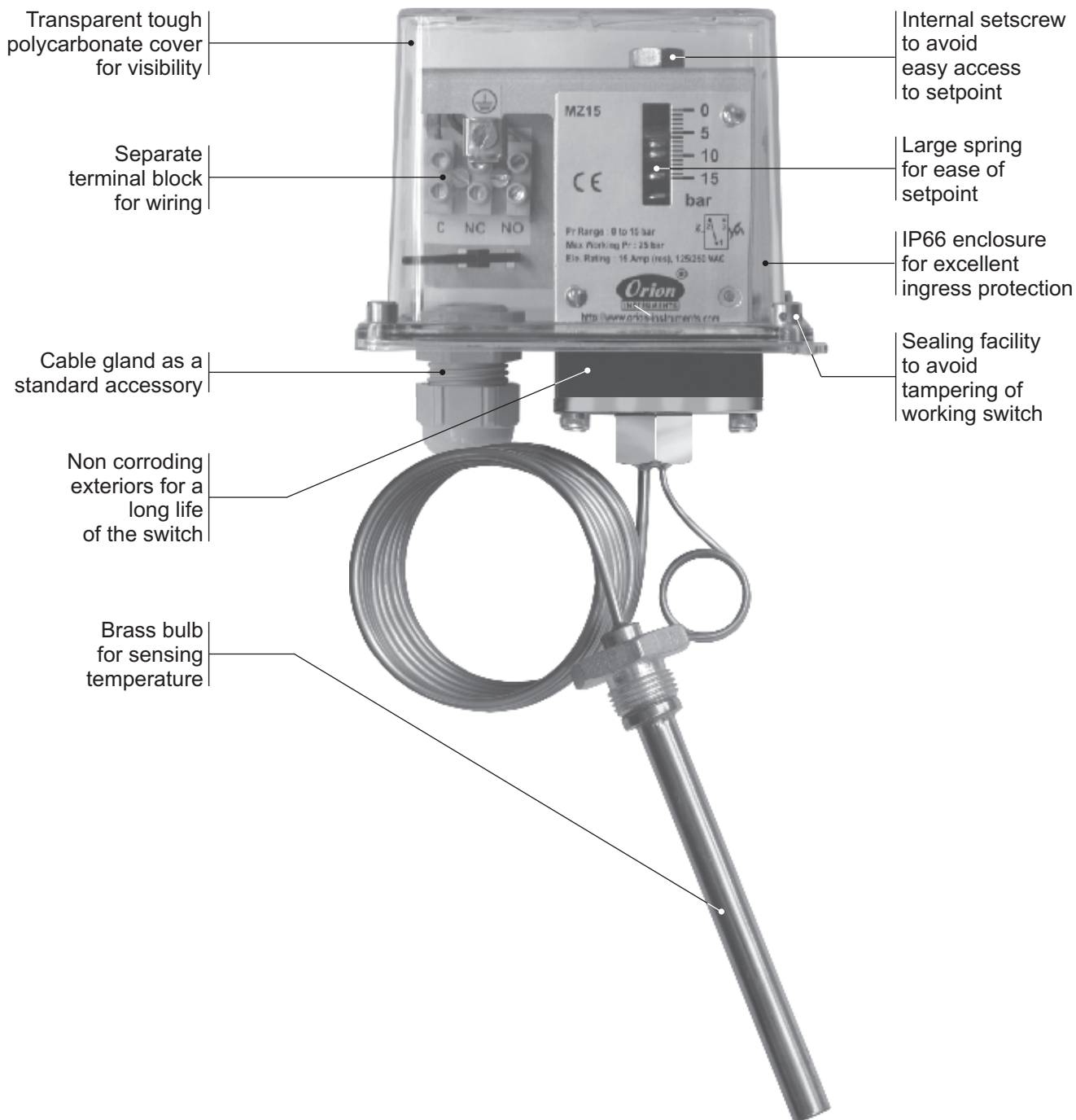


MZ TEMPERATURE SWITCHES



Transparent tough polycarbonate cover for visibility

Separate terminal block for wiring

Cable gland as a standard accessory

Non corroding exteriors for a long life of the switch

Brass bulb for sensing temperature

Internal setscrew to avoid easy access to setpoint

Large spring for ease of setpoint

IP66 enclosure for excellent ingress protection

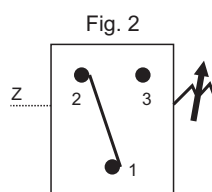
Sealing facility to avoid tampering of working switch

Approximate Weight : 0.700 Kg.

Some Applications :

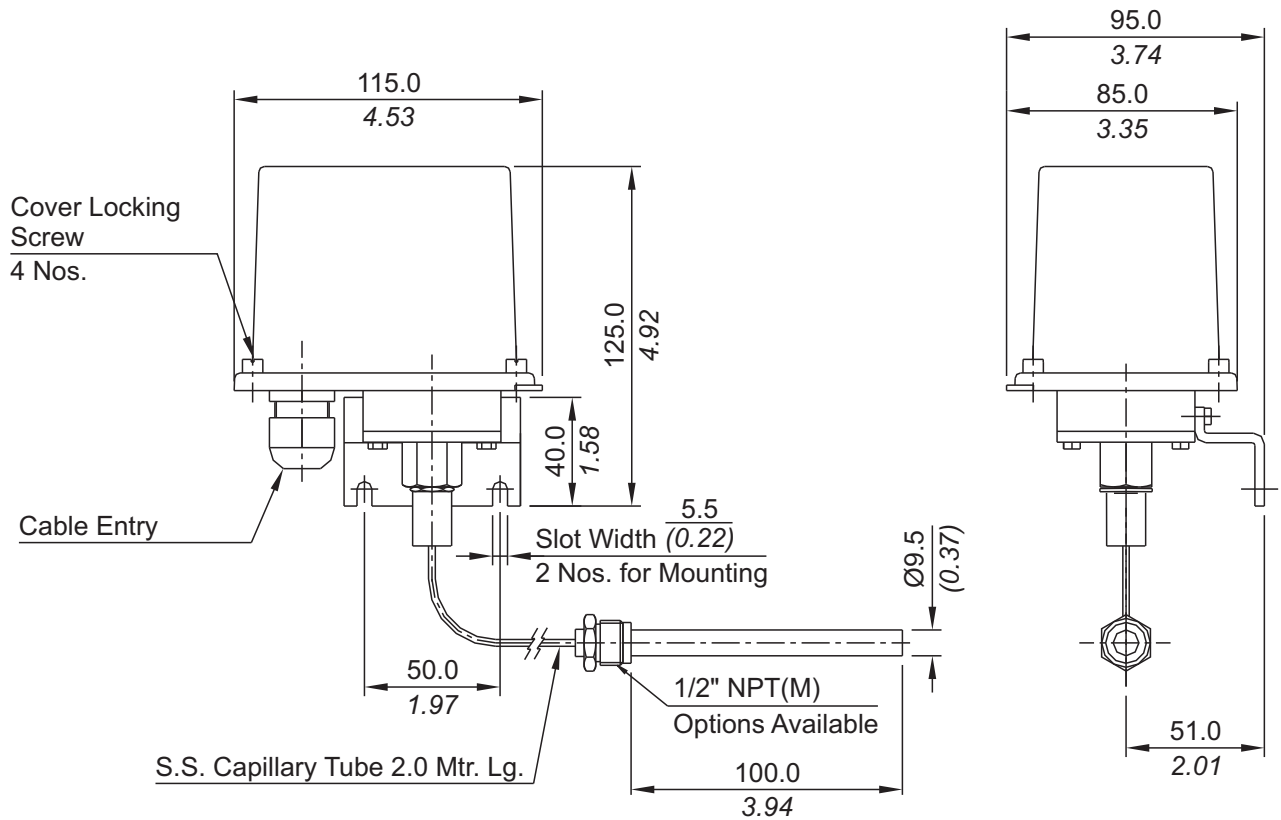
To detect limiting temperature levels in non-hazardous areas.

Electrical Connection :





INSTALLATION DRAWING



APPROX. DIMENSIONS IN $\frac{\text{mm}}{\text{inches}}$

MZ TEMPERATURE SWITCHES

RANGE SELECTION TABLE

Range Code	Range °C (°F)	Differential* °C (°F)	Maximum Working Temperature °C (°F)
		Approximate Maximum for "A1" microswitch	
T1H	25 - 90 (77 - 194)	15 (59)	150 (302)
T2H	70 - 150 (158 - 302)	20 (68)	200 (392)
T3H	120 - 215 (248 - 419)	30 (86)	300 (572)

* Approximate differential at midrange for A1 microswitch. Differentials increase with setpoint. Differentials vary with microswitch combinations. Please consult sales office for details

HOW TO ORDER PROCESS TEMPERATURE SWITCHES

Group 1	Group 2	Group 3	Group 4	Group 5	Group 6	Group 7	Group 8
Non standard allocation	Gas Group Classification	Cable Entry Size	Switch Type	Range Code (values in Deg. Cen.)	Microswitch Type	Temp. Bulb Material / Size	Capillary Material / Size
<input type="checkbox"/> Reserved for Non-standard Options not covered in Catalogue. Will Be given by Manufacturer, Only after Agreement of Supply details With customer.	MZ = Process temperature switch with tough transparent polycarbonate Enclosure to IP66 as per IS2147	3 = M20 X 1.5 threads	TF1 = Temperature Switch fixed differential without scale TF2 = Temperature Switch fixed differential with scale in °C	T1H = 25 - 90 T2H = 70 - 150 T3H = 120 - 215	A1 = General purpose microswitch rated at 15 A; 250 VAC A7 = 2SPDT switching elements A8 = General purpose microswitch rated at 5A; 250 VAC A9 = General purpose microswitch rated at 5A; 250 VAC	B1 = Brass / Dia. 9.5 mm, 123 mm length, with 3/8" BSP (M) thermowell connection B2 = Brass / Dia. 9.5 mm, 123 mm length, with 3/8" NPT (M) thermowell connection B3 = Brass / Dia. 9.5 mm, 123 mm length, with 1/2" NPT (M) thermowell connection	2 = SS316 / 2.0 meter

E.g. A Process Temperature switch, with M20x1.5 cable entry as 1 SPDT, fixed differential with scale, having 25°C to 90°C temperature range, with 15 Amp. microswitch, with Brass 9.5 mm diameter bulb, having length 123 mm with 3/8" BSP(M), with 2.0 meter SS316 capillary length shall be specified by

Group 1	Group 2	Group 3	Group 4	Group 5	Group 6	Group 7	Group 8
<input type="checkbox"/>	MZ	3	TF2	T1H	A1	B1	2

Please specify full model number to avoid ambiguity.