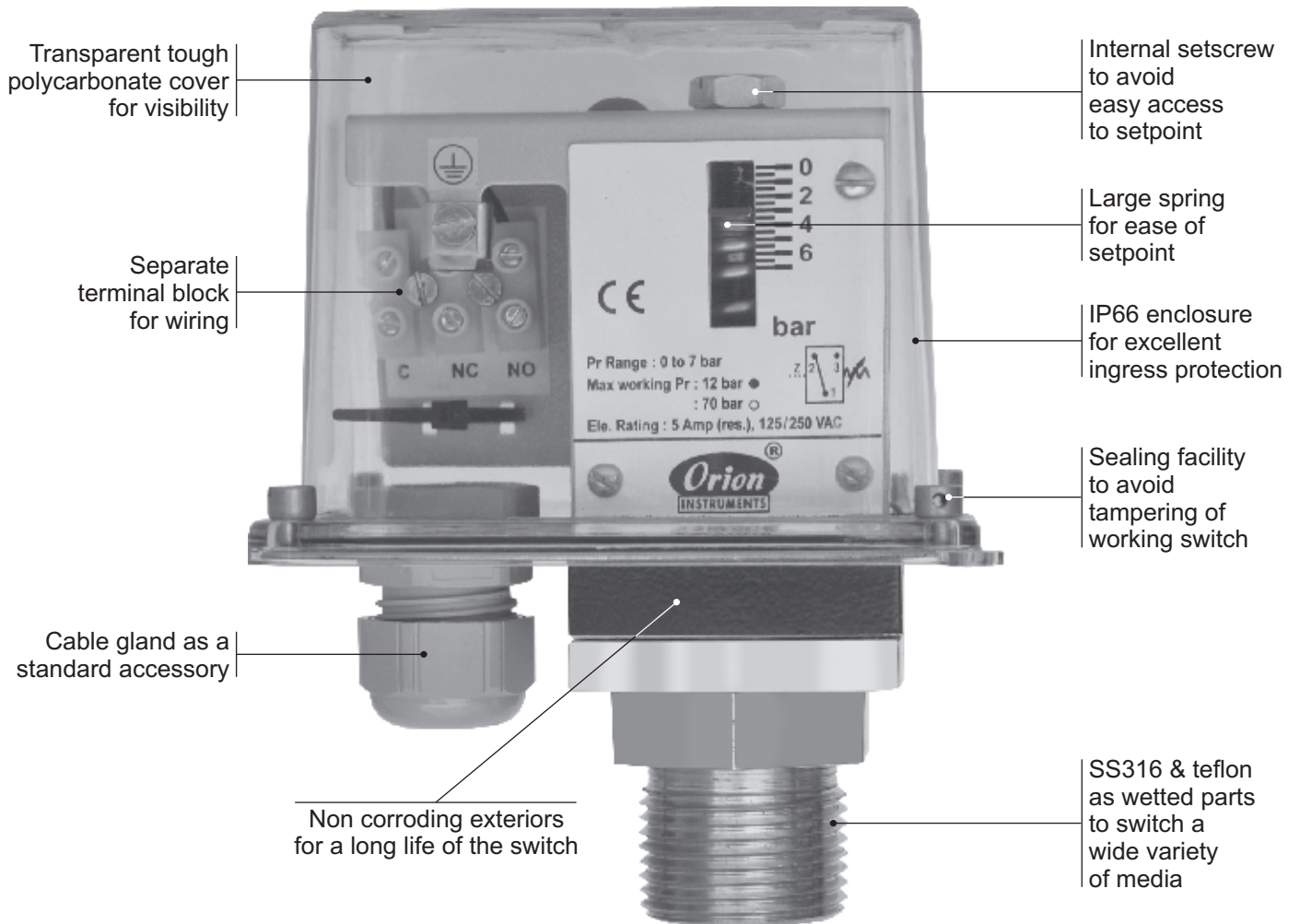


MZ LARGE BORE HIGH RANGE PRESSURE SWITCHES

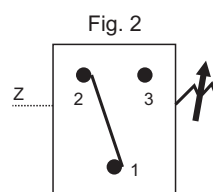


Approximate Weight : 0.900 Kg.

Some Applications :

Applications requiring a large bore, for slurries, sludges, etc.

Electrical Connection :

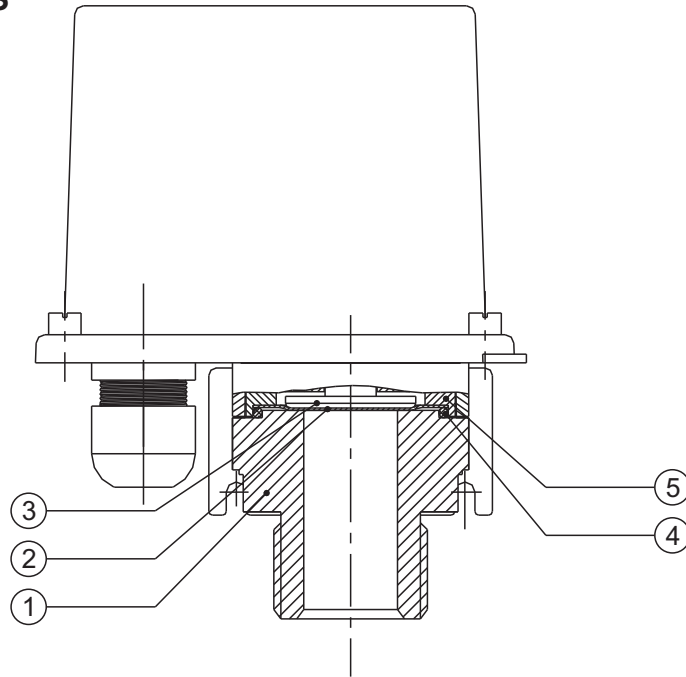




PRESSURE CAPSULE DETAILS

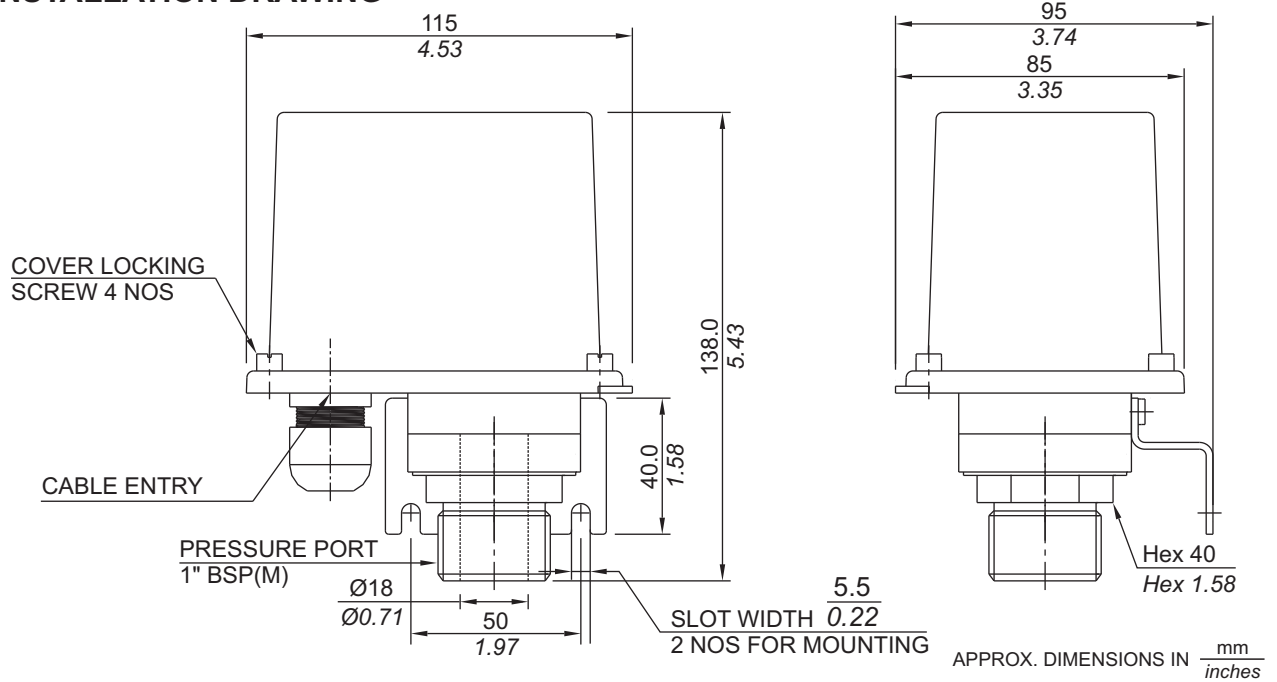
No. Description

1. *Pressure Port (SS316)*
2. *Diaphragm (Teflon®)*
3. Plunger
4. *O-Ring (Teflon®)*
5. Disc



Note : *wetted parts* are mentioned in italics.

INSTALLATION DRAWING



MZ LARGE BORE HIGH RANGE PRESSURE SWITCHES

RANGE SELECTION TABLE

Range Code	Range bar (psi)	Differential* bar (psi)	Maximum Working Pressure bar (psi)
		Approximate Maximum for "A8" microswitch	
H01	0.1 - 1.0 (1.45 - 14.50)	0.10 (1.43)	12 (171.43)
H02	0.1 - 1.5 (1.45 - 21.76)	0.20 (2.86)	12 (171.43)
H03	0.2 - 2.6 (2.90 - 37.71)	0.20 (2.86)	12 (171.43)
H04	0.2 - 3.6 (2.90 - 52.21)	0.20 (2.86)	12 (171.43)
H07	0.5 - 7.0 (7.25 - 101.50)	0.40 (5.72)	12 (171.43)
H10	0.5 - 10.0 (7.14 - 142.86)	0.60 (8.58)	25 (357.14)
H15	1.0 - 15.0 (14.29 - 214.29)	0.60 (8.58)	25 (357.14)
H30	5.0 - 25.0 (71.43 - 357.14)	0.80 (11.44)	35 (500.00)

*Minimum differential increases with setpoint (Graphs available on request), results for neoprene diaphragm.



Note: Welded diaphragm also available as shown

HOW TO ORDER PROCESS LARGE BORE HIGH RANGE PRESSURE SWITCHES

Group 1	Group 2	Group 3	Group 4	Group 5	Group 6	Group 7	Group 8
Non standard allocation	Model	Cable Entry Size	Switch Type	Range Code (values in bar)	Microswitch Type	Pressure Port Material / Size	Diaphragm
<input type="checkbox"/> Reserved for non-standard options not covered in catalogue. Will be given by manufacturer, only after agreement of supply details with customer.	MZ = Process pressure switch with tough transparent polycarbonate enclosure to IP66 as per IS2147	3 = M20 X 1.5 cable gland	PF2 = pressure switch, fixed differential with scale in bar PF3 = pressure switch, fixed differential with scale in psi *PA2 = pressure switch, adjustable differential with scale in bar *PA3 = pressure switch, adjustable differential with scale in psi <small>*Available only with option A9 in Group 6</small>	H01 = (0.1 - 1.0) H02 = (0.1 - 1.5) H03 = (0.2 - 2.6) H04 = (0.2 - 3.6) H07 = (0.5 - 7.0) H10 = (0.5 - 10.0) H15 = (1.0 - 15.0) H30 = (5.0 - 25.0)	A8 = General purpose microswitch rated at 5 A; 250 VAC A7 = 2SPDT microswitches A9 = General purpose microswitch rated @ 5A, 250 VAC <small>* Please refer note under Range Selection Table</small>	S3 = SS316 / 1" BSP(M) N3 = Monel / 1" BSP(M)	0 = Neoprene 1 = Teflon 2 = SS 316L 4 = Monel

eg. A process pressure switch with fixed differential having 0.1 bar to 1 bar pressure range, with 5Amp. microswitch, SS316 pressure housing with 1" BSPM port size & neoprene diaphragm shall be specified by

Group 1	Group 2	Group 3	Group 4	Group 5	Group 6	Group 7	Group 8
<input type="checkbox"/>	MZ	3	PF2	H01	A8	S3	0

Please specify full model number to avoid ambiguity.

LARGE BORE HIGH RANGE PRESSURE SWITCHES

MZ