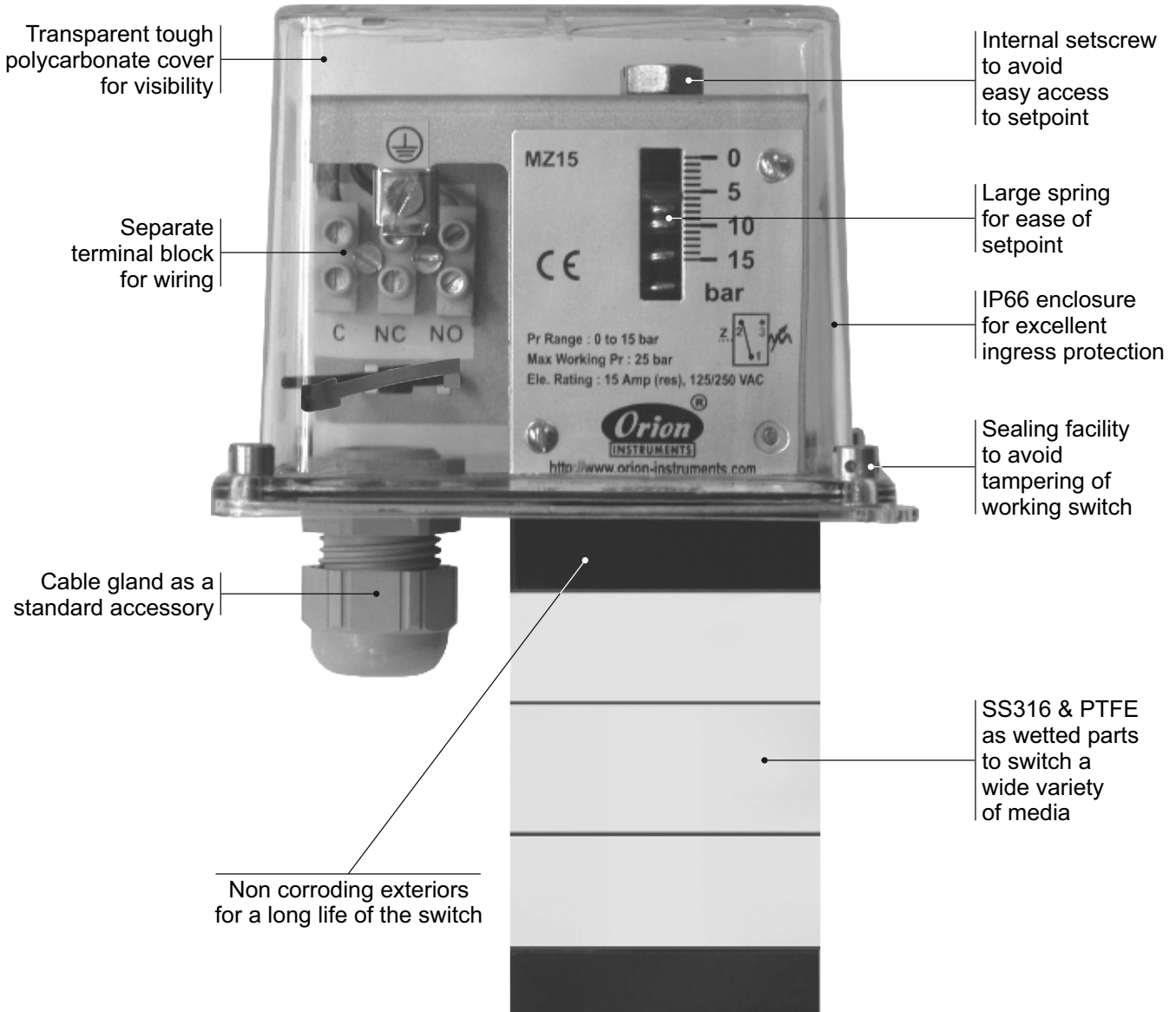


MZ HIGH RANGE DP

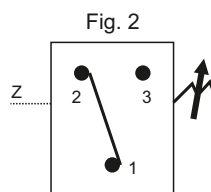


Approximate Weight : 1.800 Kg.

Some Applications :

Applications requiring high static/system pressure but low pressure difference.

Electrical Connection :

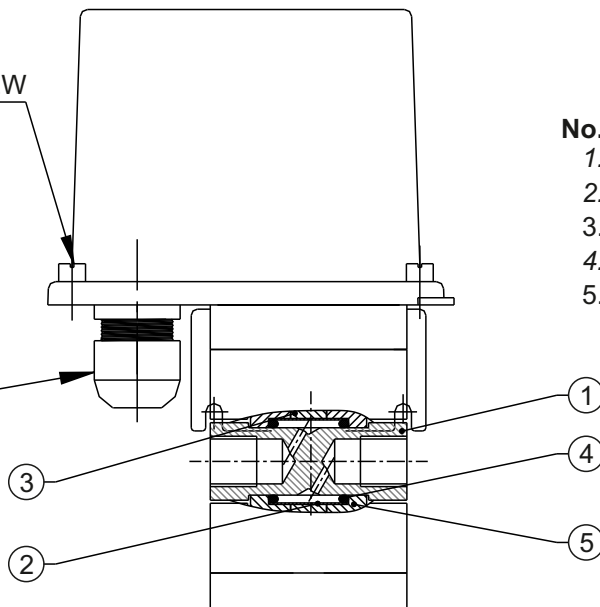




PRESSURE CAPSULE DETAILS

COVER LOCKING SCREW
4NOS.

CABLE ENTRY



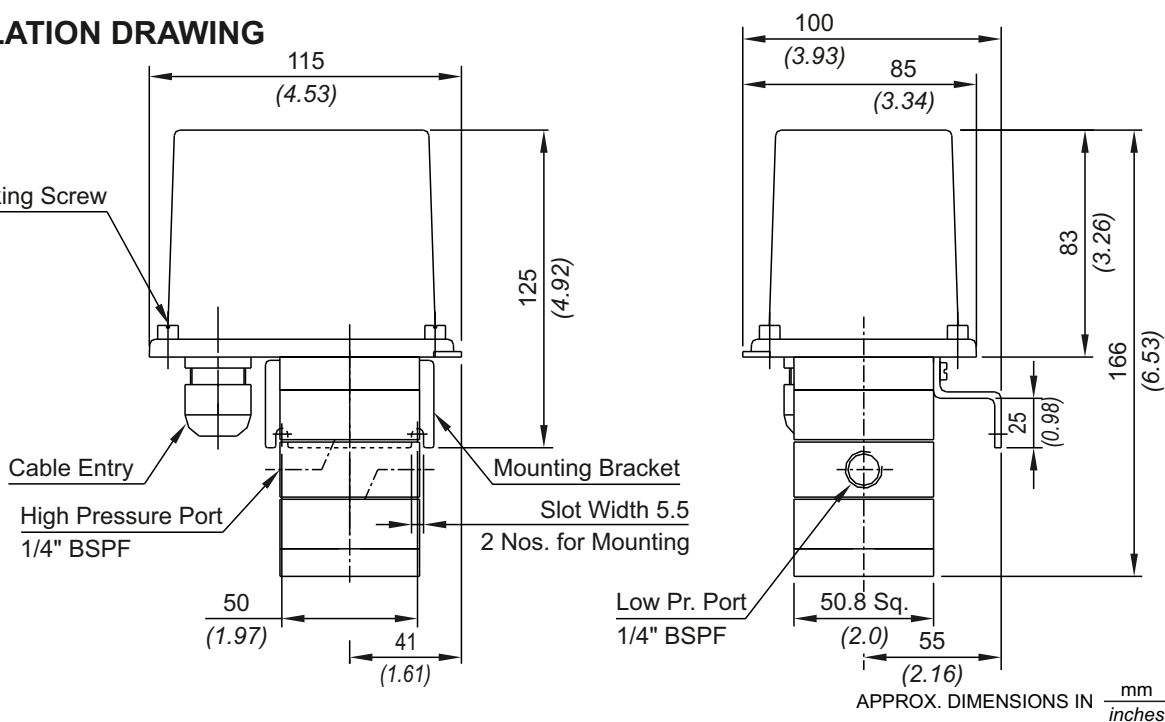
No. Description

1. Pressure Housing
2. Diaphragm
3. Plunger
4. O-Ring
5. Disc

Note : *wetted parts* are mentioned in italics.

INSTALLATION DRAWING

Cover Locking Screw
4 Nos.



RANGE SELECTION TABLE

Range Code	Range bar (psi)	Differential* bar (psi)	Maximum Working Pressure bar (psi)
		Approximate Maximum for "A8" microswitch	
D01	0.1 - 1.0 (1.45 - 14.50)	0.12 (1.74)	70 (1000.00)
D02	0.1 - 1.5 (1.45 - 21.76)	0.2 (2.90)	70 (1000.00)
D03	0.2 - 2.6 (2.90 - 37.71)	0.4 (5.80)	70 (1000.00)
D04	0.2 - 3.6 (2.90 - 52.21)	0.6 (8.70)	70 (1000.00)
D07	0.5 - 7.0 (7.25 - 101.50)	0.8 (11.60)	70 (1000.00)
D10	0.5 - 10.0 (7.14 - 142.86)	1.0 (14.50)	70 (1000.00)
D15	1.0 - 15.0 (14.29 - 214.29)	1.5 (21.75)	70 (1000.00)
D30	5.0 - 25.0 (71.43 - 357.14)	2.0 (29.00)	70 (1000.00)

Note:

1. The minimum differential increases with the setpoint. The differential values mentioned in the above table are approximate maximum for FSR. The differential value will vary according to the pressure range selected and microswitch type. For actual values of differential please contact sales office.

2. When using 2SPDT switching arrangement, both microswitches may not actuate and/or deactuate at the same point. A small stage gap, normally upto +/- 5% FSR (depending on range code) may be observed. The On-Off differential (hysteresis) typically tends to be atleast double of those published for 1SPDT pressure switches.

If actuation and/or deactuation at same point is critical part of operation, then it can be achieved by using a separate DPDT relay. This relay will need a separate power supply for it's coil.

HOW TO ORDER PROCESS HIGH RANGE DP SWITCHES

Group 1	Group 2	Group 3	Group 4	Group 5	Group 6	Group 7	Group 8
Non standard allocation	Model	Cable Entry Size	Switch Type	Range Code (values in bar)	Microswitch Type	Pressure Port Material / Size	Diaphragm
<input type="checkbox"/> Reserved for non-standard options not covered in catalogue. Will be given by manufacturer, only after agreement of supply details with customer.	MZ = Process pressure switch with a weatherproof enclosure rated IP66/IP68 as per IS/IEC 60529	1 = Polycarbonate Enclosure 1/2" NPT threads 2 = Polycarbonate Enclosure 3/4" NPT threads 3 = Polycarbonate Enclosure M20 x 1.5 threads 4 = Diecast Al. Enclosure 1/2" NPT threads 5 = Diecast Al. Enclosure 3/4" NPT threads 6 = Diecast Al. Enclosure M20 x 1.5 threads 7 = SS Enclosure 1/2" NPT threads 8 = SS Enclosure 3/4" NPT threads 9 = SS Enclosure M20 x 1.5 threads	DF2 = pressure difference switch, fixed differential with scale in bar DF3 = pressure difference switch, fixed differential with scale in psi *DA2 = pressure difference switch, adjustable differential with scale in bar *DA3 = pressure difference switch, adjustable differential with scale in psi	D01 = (0.1 - 1.0) D02 = (0.1 - 1.5) D03 = (0.2 - 2.6) D04 = (0.2 - 3.6) D07 = (0.5 - 7.0) D10 = (0.5 - 10.0) D15 = (1.0 - 15.0) D30 = (5.0 - 25.0)	A8 = General purpose microswitch A7 = 2SPDT microswitches A9 = General purpose microswitch	S1 = SS316 / 1/4" BSP(F) S2 = SS316 / 1/4" NPT(F) N1 = Monel / 1/4" BSP(F) N2 = Monel / 1/4" NPT(F) H1 = Hastelloy C / 1/4" BSP(F) H2 = Hastelloy C / 1/4" NPT(F)	0 = Neoprene 1 = PTFE 2 = SS316L 3 = Hastelloy C 4 = Monel
	Note : Contact sales office for IP 68 enclosure	Note : For dual cable entries contact sales office	*Available only with option A7 and A9 in Group 6		* Please refer to page nos. 290 & 291 for options and specifications of microswitches Please contact sales office for additional information	More options available, please contact sales office	

eg. A process pressure difference switch with fixed differential having 0.1 bar to 1 bar pressure range, with 5 Amp. microswitch, SS316 pressure housing with 1/4" BSP port size & neoprene diaphragm shall be specified by

Group 1	Group 2	Group 3	Group 4	Group 5	Group 6	Group 7	Group 8
<input type="checkbox"/>	MZ	3	DF2	D01	A8	S1	0

Please specify full model number to avoid ambiguity.