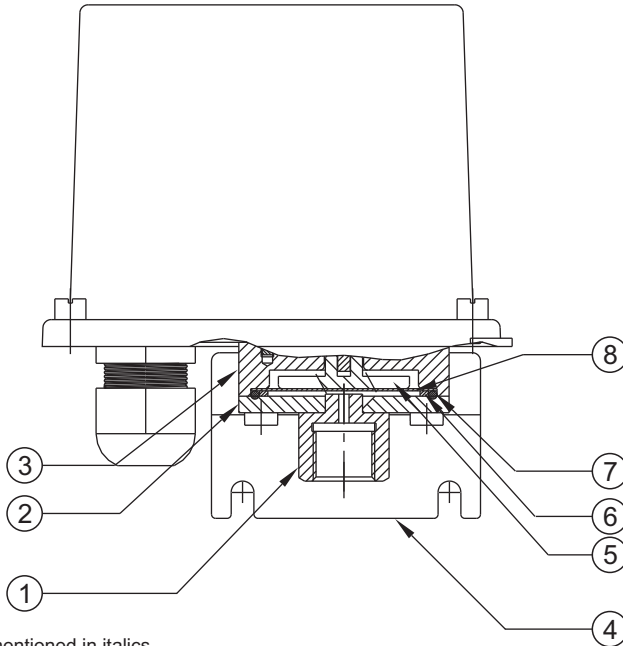




PRESSURE CAPSULE DETAILS

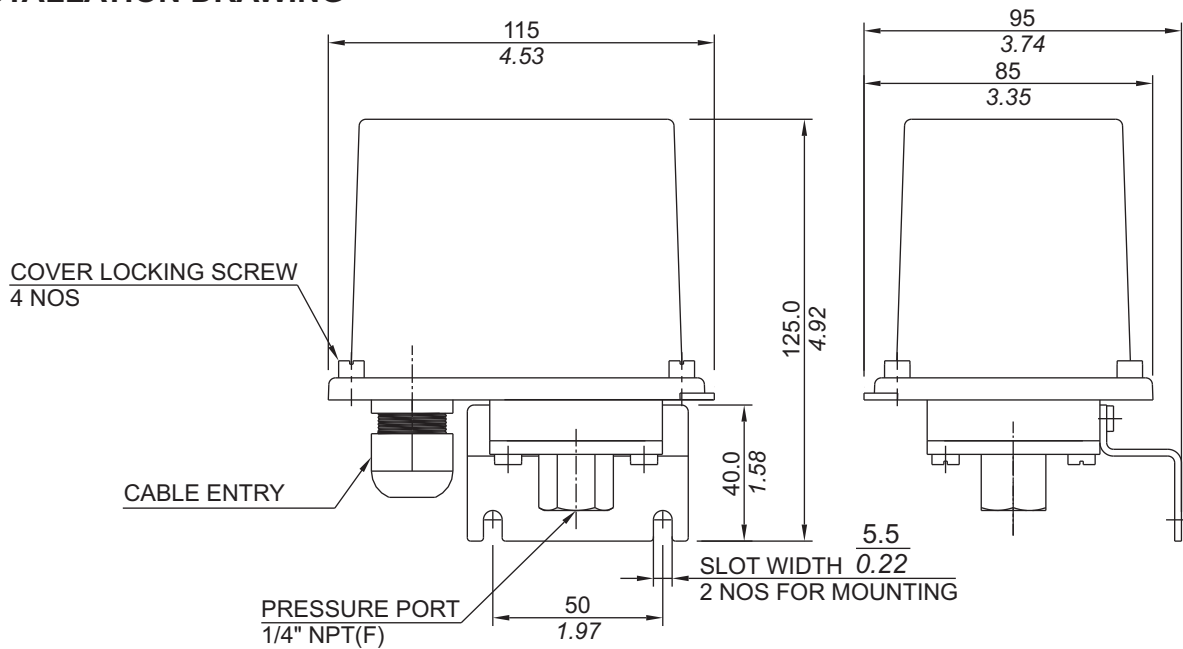


No. Description

1. *Pressure Port (SS316)*
2. *Housing Plate (SS316)*
3. *Disc*
4. *Mounting Bracket*
5. *Plunger*
6. *Ring (SS316)*
7. *O-Ring (Teflon®)*
8. *Diaphragm (Teflon®)*

Note : *wetted parts* are mentioned in italics.

INSTALLATION DRAWING



RANGE SELECTION TABLE

Model Code	Range † psi	*Approximate Maximum Differential psi	Maximum Working Pressure psi
MZ-1A	1.5-15.0	2.0	200
MZ-4A	3.0-50.0	3.0	200
MZ-7A	7.0-100.0	6.0	200
MZ-10A	7.0-150.0	12.0	350
MZ-15A	15.0-200.0	20.0	350
MZ-30A	70.0-350.0	20.0	500

*Minimum differential increases with setpoint (Graphs available on request)

†Rising pressure for MZ series

SPECIFICATIONS :

- Range** : As per model code
- Electrical rating** : 15 Amp, 250 VAC, SPDT snapaction microswitch
- Enclosure[#]** : IP66 standard, transparent tough polycarbonate cover
- Wetted parts** : SS 316 & Teflon
- Pressure port** : 1/4" NPTF standard
- Cable gland** : M20 x 1.5 standard (polyamide)
- Maximum temperature of working medium** : 80° C maximum. Please use impulse tubing for higher temperatures

- IP66 is approximately equivalent to NEMA 4X

HOW TO ORDER MZ__A SERIES OEM PRESSURE SWITCHES

Please select model code from Range Selection table