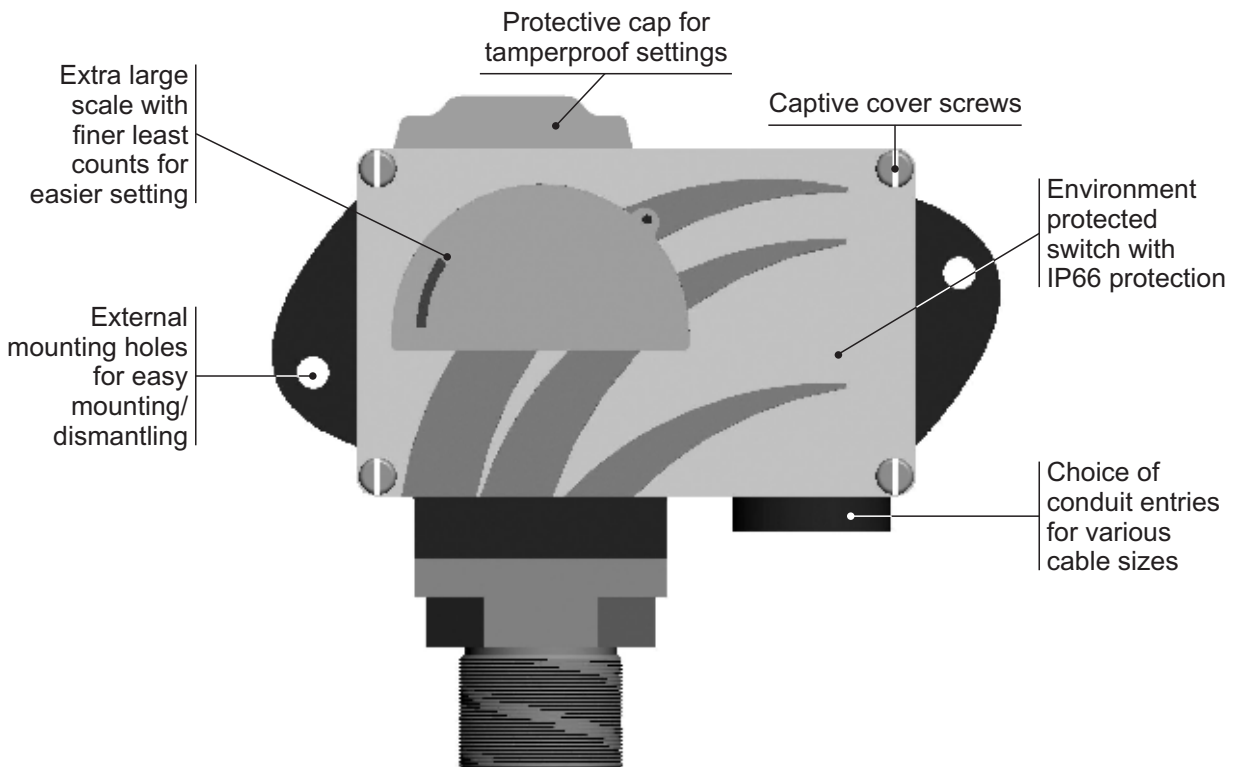
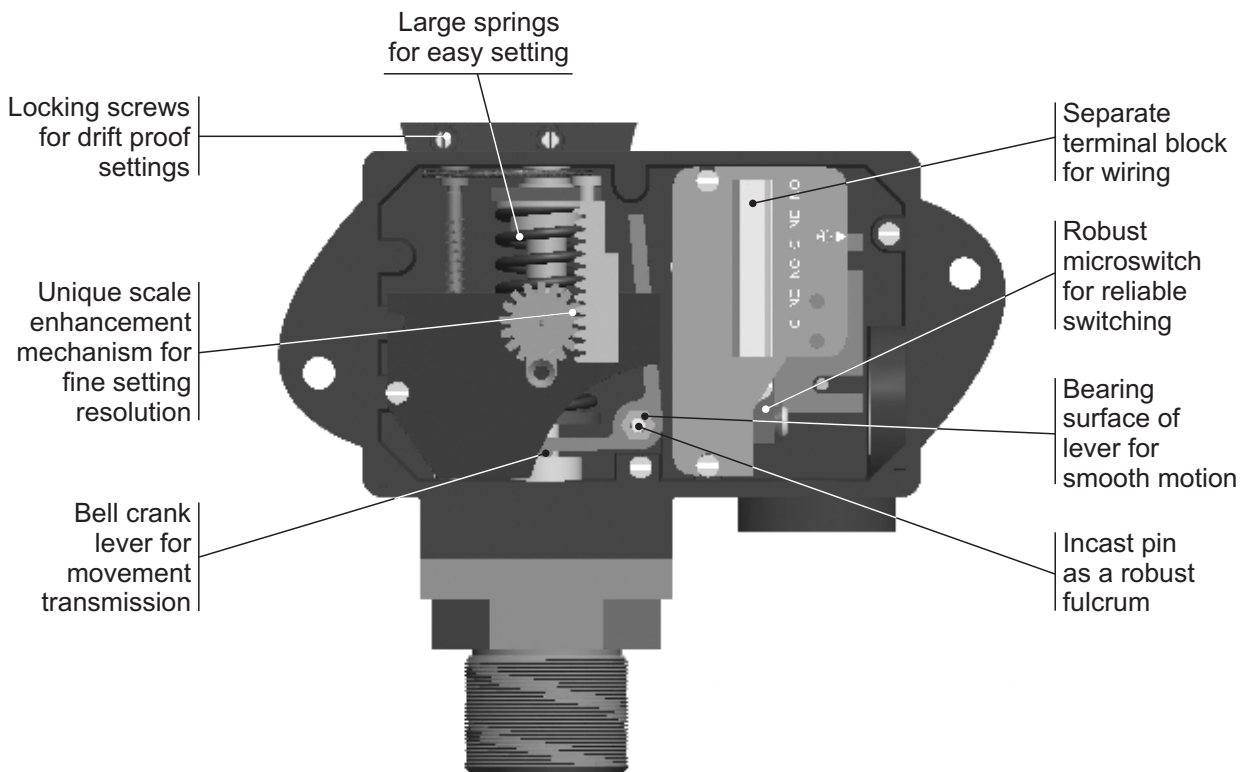


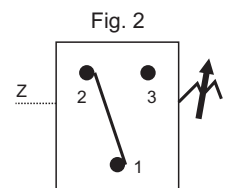
MD LARGE BORE HIGH RANGE PRESSURE SWITCHES



Approximate Weight : 1.500 Kg.

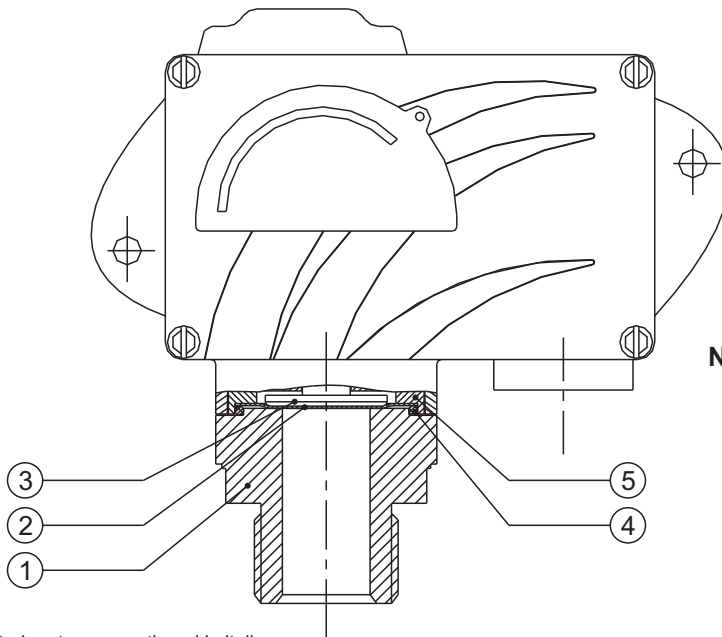
Some Applications : Water treatment plants, reverse osmosis plants, etc.

Electrical Connection :





PRESSURE CAPSULE DETAILS

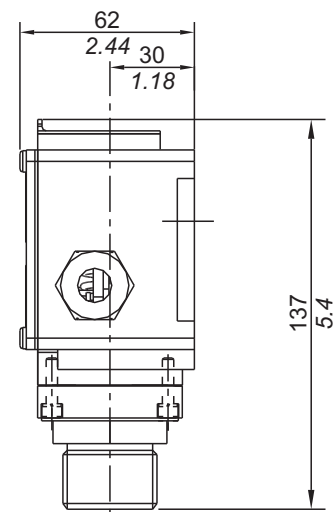
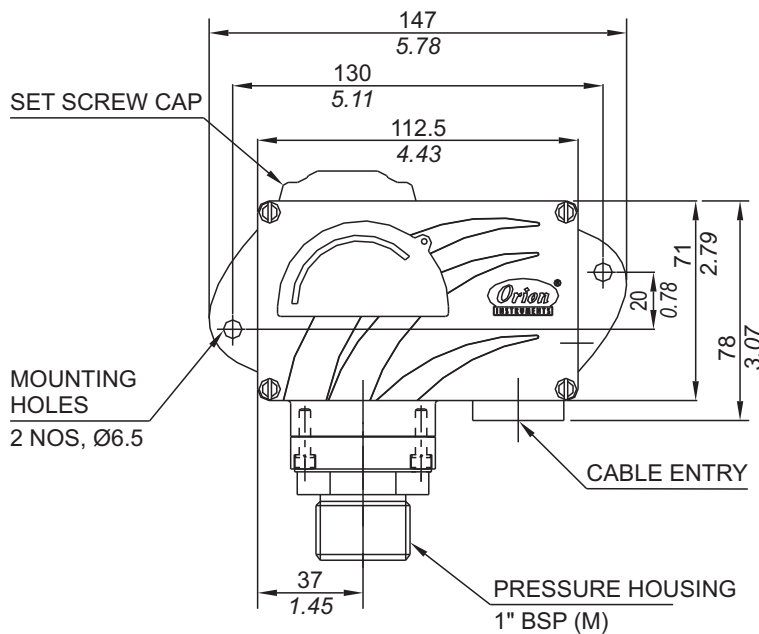


No. Description

1. Pressure Housing (SS316)
2. Diaphragm (Teflon®)
3. Plunger
4. Steel Ring (SS316)
5. O-Ring (Teflon®)

Note : *wetted parts* are mentioned in italics.

INSTALLATION DRAWING



APPROX. DIMENSIONS IN $\frac{\text{mm}}{\text{inches}}$

MD LARGE BORE HIGH RANGE PRESSURE SWITCHES

RANGE SELECTION TABLE

Range Code	Range bar (psi)	Differential* bar (psi)	Maximum Working Pressure bar (psi)
		Approximate Maximum for "A8" microswitch	
H01	0.1 - 1.0 (1.45 - 14.50)	0.10 (1.45)	12 (174.05)
H02	0.1 - 1.5 (1.45 - 21.76)	0.20 (2.90)	12 (174.05)
H03	0.2 - 2.6 (2.90 - 37.71)	0.20 (2.90)	12 (174.05)
H04	0.2 - 3.6 (2.90 - 52.21)	0.20 (2.90)	12 (174.05)
H07	0.5 - 7.0 (7.25 - 101.50)	0.40 (5.80)	12 (174.05)
H10	0.5 - 10.0 (7.25 - 145.03)	0.60 (8.70)	25 (362.6)
H15	1.0 - 15.0 (14.50 - 217.56)	0.60 (8.70)	25 (362.6)
H30	5.0 - 25.0 (72.52 - 362.6)	0.80 (11.60)	35 (507.63)

*Minimum differential increases with setpoint (Graphs available on request), results for neoprene diaphragm.



Note: Welded diaphragm also available as shown

HOW TO ORDER INDUSTRIAL LARGE BORE HIGH RANGE PRESSURE SWITCHES

Group 1	Group 2	Group 3	Group 4	Group 5	Group 6	Group 7	Group 8
Non standard allocation	Model	Cable Entry Size	Switch Type	Range Code (values in bar)	Microswitch Type	Pressure Port Material / Size	Diaphragm
<input type="checkbox"/> Reserved for non-standard options not covered in catalogue. Will be given by manufacturer, only after agreement of supply details with customer.	MD = Industrial pressure switch with diecast Aluminium enclosure to IP66 as per IS2147	1 = 1/2" NPT threads 2 = 3/4" NPT threads 3 = M20 X 1.5 threads	PF1 = pressure switch, fixed differential without scale PF2 = pressure switch, fixed differential with scale in bar PF3 = pressure switch, fixed differential with scale in psi *PA1 = pressure switch, adjustable differential without scale *PA2 = pressure switch, adjustable differential with scale in bar *PA3 = pressure switch, adjustable differential with scale in psi *Available with A9 (in group 6) only	H01 = (0.1 - 1.0) H02 = (0.1 - 1.5) H03 = (0.2 - 2.6) H04 = (0.2 - 3.6) H07 = (0.5 - 7.0) H10 = (0.5 - 10.0) H15 = (1.0 - 15.0) H30 = (5.0 - 25.0)	A1 = General purpose microswitch rated at 15 A; 250 VAC *A2 = Hermetically sealed for corrosive environments *A3 = gold plated contacts for low voltage applications *A4 = DPDT configuration *A5 = for high DC ratings *A7 = 2SPDT switching elements A8 = General purpose microswitch rated at 5 A; 250 VAC *A9 = General purpose microswitch rated at 5 A; 250 VAC Please refer page no. 230 for more microswitch options * Please refer note under Range Selection Table	S3 = SS316 / 1" BSP(M) N3 = Monel / 1" BSP(M)	0 = Neoprene 1 = Teflon 2 = SS 316L 4 = Monel

eg. An Industrial large bore pressure switch with fixed differential having 0.1 bar to 1 bar pressure range, with 5 Amp. microswitch, SS316 pressure housing with 1" BSPM port size & neoprene diaphragm shall be specified by

Group 1	Group 2	Group 3	Group 4	Group 5	Group 6	Group 7	Group 8
<input type="checkbox"/>	MD	3	PF2	H01	A8	S3	0

Please specify full model number to avoid ambiguity.

LARGE BORE HIGH RANGE PRESSURE SWITCHES

MD