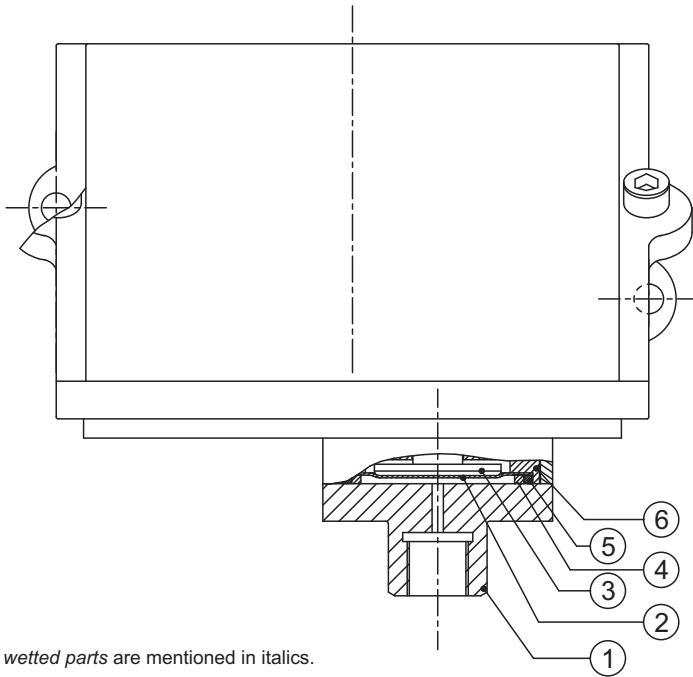


## PRESSURE CAPSULE DETAILS



### No. Description

1. Pressure port (SS316)
2. Diaphragm (Teflon)
3. Plunger
4. Steel ring (SS316)
5. O-ring (Teflon)
6. Disc

Note : *wetted parts* are mentioned in italics.

## INSTALLATION DRAWING

