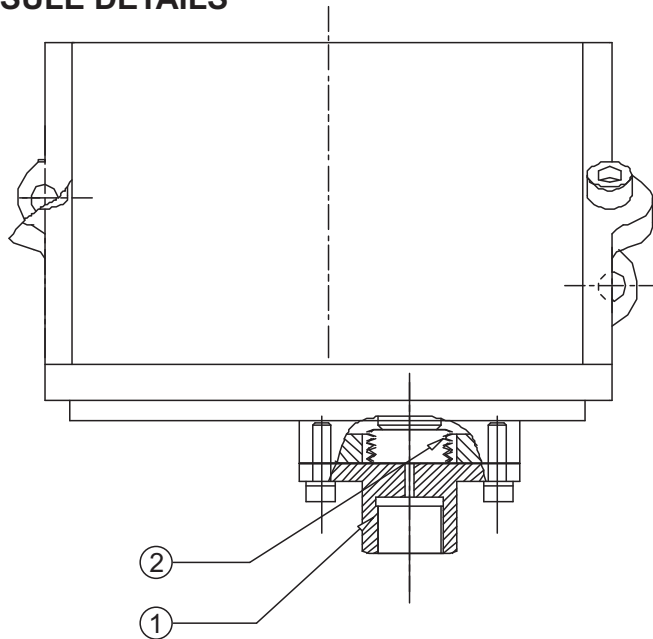


MT HIGH RANGE BELLOWS SWITCHES



PRESSURE CAPSULE DETAILS



- No. Description**
1. Pressure housing
 2. Metallic bellow

Note : *wetted parts* are mentioned in italics.

*Pressure ports are brazed with flange

INSTALLATION DRAWING

