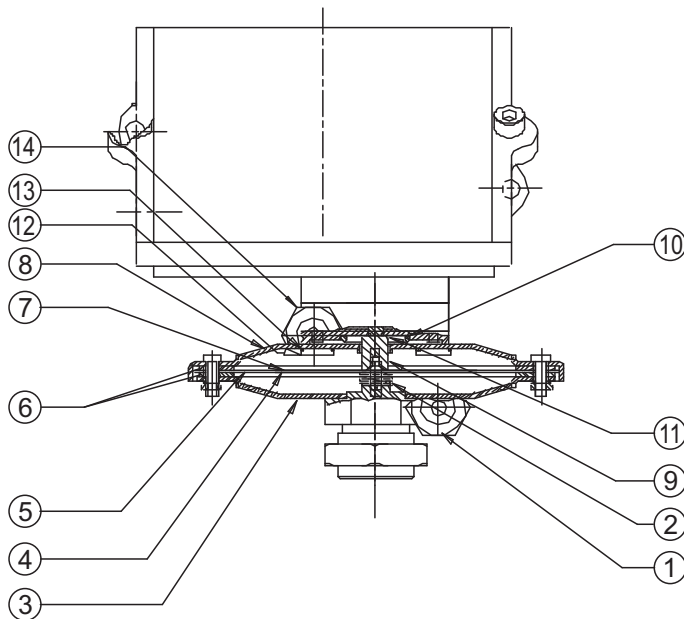


## PRESSURE CAPSULE DETAILS



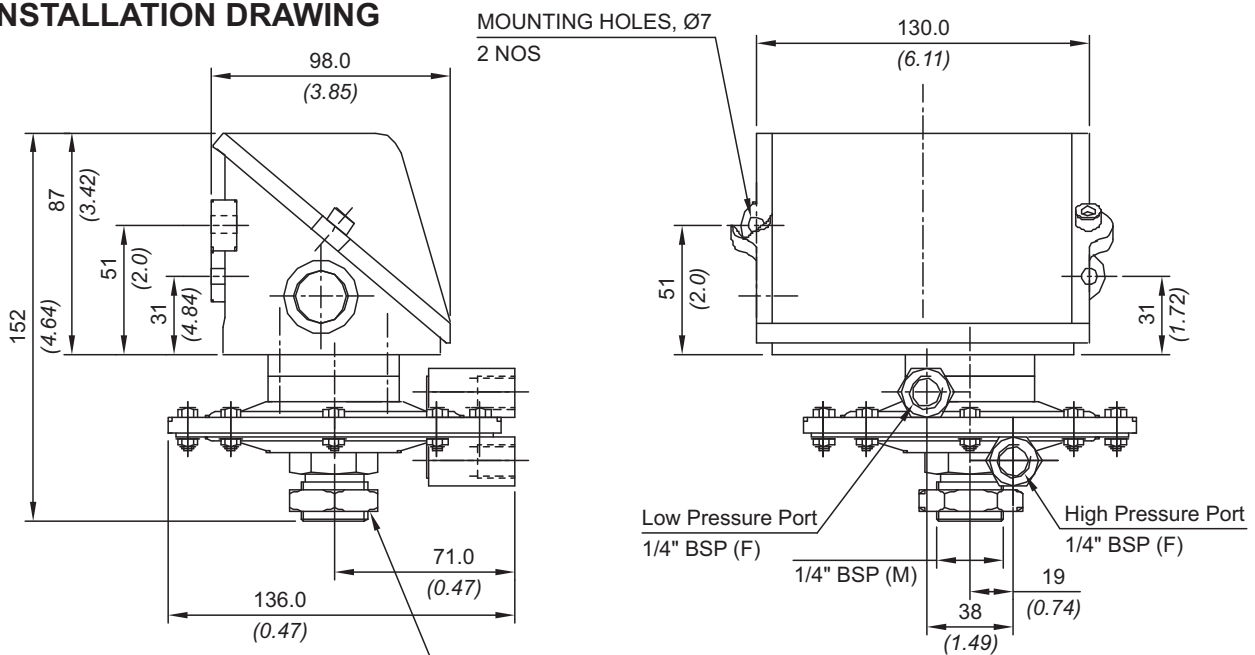
### No. Description

1. *High pressure port (M.S.)\**
2. *Support spring (S.S.)*
3. *Bottom flange (M.S.)*
4. *Support plate (Aluminium)*
5. *Diaphragm (Neoprene)*
6. *Gasket (Nitrile)*
7. *Top plate (Aluminium)*
8. *Top flange (M.S.)\**
9. *Transfer pin (Aluminium)*
10. *'O' ring (Nitrile)*
11. *Sealing diaphragm (Nitrile)*
12. *Top flange screw (M.S.)*
13. *Sealing 'O' ring (Nitrile)*
14. *Low pressure port (M.S.)\**

\*Pressure ports are brazed with flange

Note : *wetted parts* are mentioned in italics.

## INSTALLATION DRAWING



APPROX. DIMENSIONS IN  $\frac{\text{mm}}{\text{inches}}$