



**PRESSURE SWITCHES**  
**PRESSURE DIFFERENCE SWITCHES**  
**VACUUM SWITCHES**  
From 1.5 mbar to 600 bar

# MT Low $\Delta P$ High Proof Pressure Difference Switches

## CATALOGUE

Certificate No.: FM72815

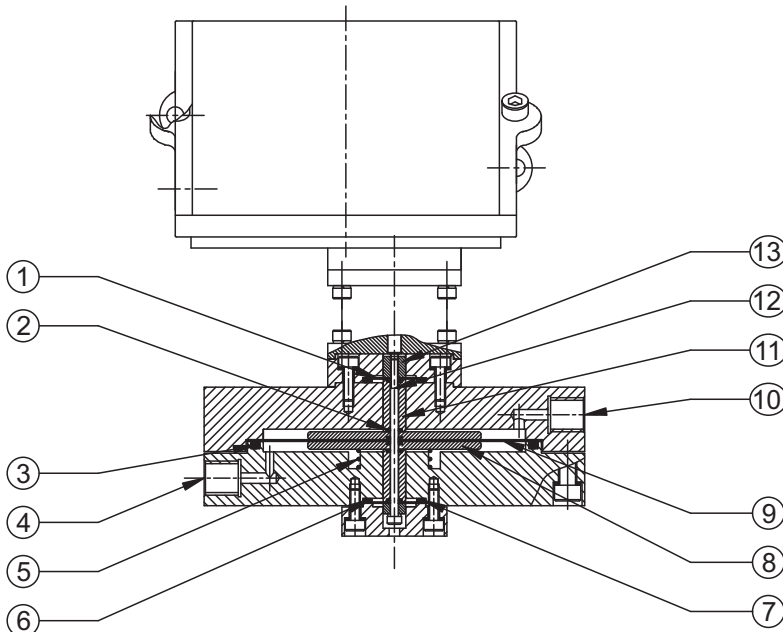


**Kaustubha Udyog** AN ISO9001:2008 COMPANY

S. No. 36/1/1, Sinhgad Road, Vadgaon Khurd,  
Near Lokmat Press, Pune 411 041 INDIA  
Tel. : +91-(0) 20-24393577 / 24393877  
Telefax: +91-(0) 20-24393577 / 25460486  
Email : pressure@vsnl.com

Website : <http://www.orion-instruments.com>

## PRESSURE CAPSULE DETAILS

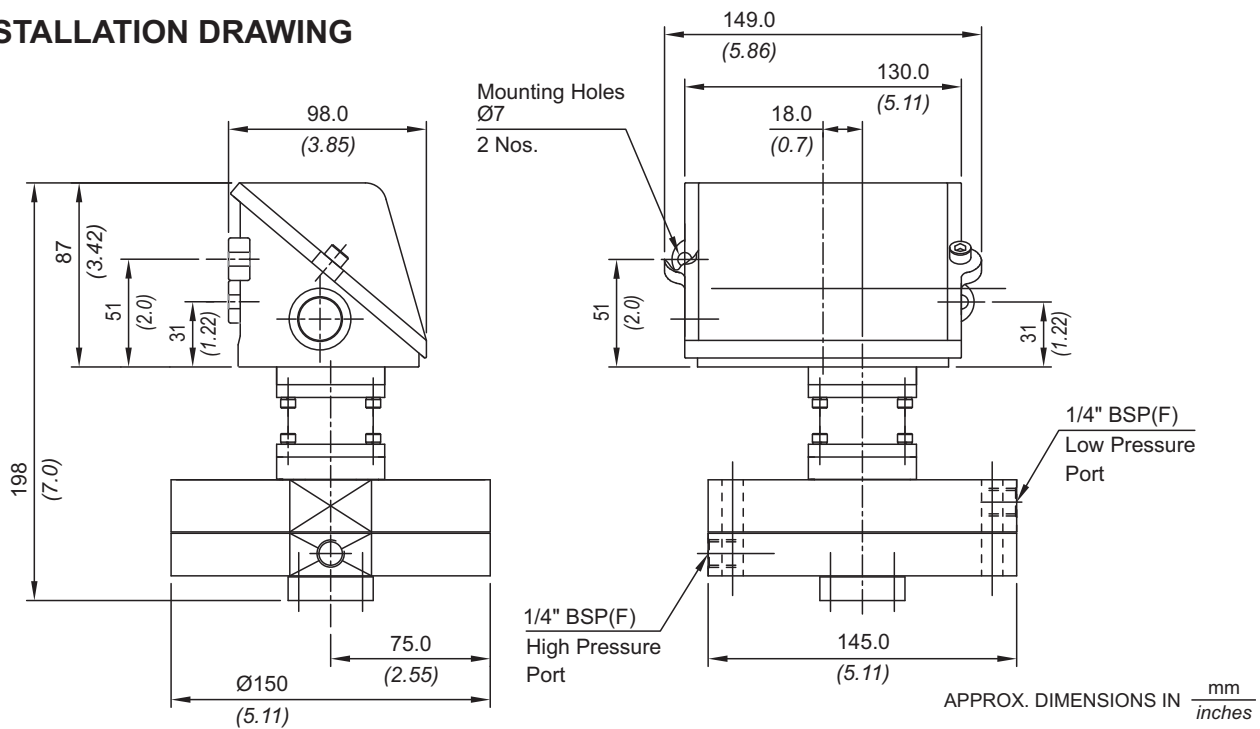


### No. Description

1. Sealing diaphragm ( Neoprene)
2. 'O' Ring (Viton)
3. 'O' Ring ( Teflon)
4. High Pr. flange (S.S.)
5. Support spring (S.S.)
6. Support ring ( S.S.)
7. Sealing ring (Teflon)
8. Support plate (S.S.)
9. Diaphragm (Neoprene)
10. Low Pr. flange (S.S.)
11. Transfer pin (S.S.)
12. Clamping screw (C.S.)
13. Lock nut (S.S.)

Note : wetted parts are mentioned in italics.

## INSTALLATION DRAWING



## RANGE SELECTION TABLE

Range Code	Range mbar ("wc)	Differential* mbar ("wc)	Maximum Working Pressure bar (psi)
		Approximate Maximum for "A1" microswitch	
M03	5 - 25 (2.007 - 10.037)	5 (2.007)	100 (1450.38)
M05	10 - 50 (4.015 - 20.073)	5 (2.007)	100 (1450.38)
M10	10 - 100 (4.015 - 40.146)	10 (4.015)	100 (1450.38)
M15	10 - 150 (4.015 - 60.22)	10 (4.015)	100 (1450.38)
M25	20 - 250 (8.03 - 100.36)	15 (6.022)	100 (1450.38)
M35	50 - 350 (20.073 - 140.51)	35 (14.05)	110 (1595.42)

\* Minimum differential increases with setpoint (Graphs available on request)

\* Differentials of microswitches A2 through A9 will vary. Differentials for A7 are typically twice that for A1 microswitch. Please indicate specifically the differential value in enquiry/order, when it is critical in your application.

### HOW TO ORDER INDUSTRIAL LOW ΔP HIGH PROOF PRESSURE DIFFERENCE SWITCHES

Group 1	Group 2	Group 3	Group 4	Group 5	Group 6	Group 7	Group 8
Non standard allocation	Gas Group Classification	Cable Entry Size	Switch Type	Range Code (values in mbar)	Microswitch Type	Pressure Port Material / Size	Diaphragm
<input type="checkbox"/> Reserved for non-standard options not covered in catalogue. Will be given by manufacturer, only after agreement of supply details with customer.	<b>MT</b> = Industrial pressure switch with diecast Aluminium enclosure to IP66 as per IS2147	<b>1</b> = 1/2" NPT threads <b>3</b> = M20 X 1.5 threads	<b>DF2</b> = pressure difference switch, fixed differential with scale in mbar <b>DF3</b> = pressure difference switch, fixed differential with scale in "wc <b>*DA2</b> = pressure difference switch, adjustable differential with scale in mbar <b>*DA3</b> = pressure difference switch, adjustable differential with scale in "wc *Available with A9 (in group 6) only	<b>M03</b> = (5 - 25) <b>M05</b> = (10 - 50) <b>M10</b> = (10 - 100) <b>M15</b> = (10 - 150) <b>M25</b> = (20 - 250) <b>M35</b> = (50 - 350)	<b>A1</b> = General purpose microswitch rated at 15 A; 250 VAC <b>*A2</b> = Hermetically sealed for corrosive environments <b>*A3</b> = gold plated contacts for low voltage applications <b>*A4</b> = DPDT configuration <b>*A5</b> = for high DC ratings <b>*A7</b> = 2SPDT switching elements <b>*A9</b> = General purpose microswitch rated at 5 A; 250 VAC  * Please refer note under Range Selection Table	<b>S1</b> = SS316 / 1/4" BSP(F) <b>S2</b> = SS316 / 1/4" NPT(F)	<b>0</b> = Neoprene <b>1</b> = Teflon

eg. An Industrial pressure switch, with 1/2" NPT cable entry in aluminium housing as 1SPDT pressure switch, fixed differential with scale, having 20 mbar to 250 mbar pressure range, with 15Amp. microswitch, SS316 pressure housing with 1/4" BSP port size shall be specified by

Group 1	Group 2	Group 3	Group 4	Group 5	Group 6	Group 7	Group 8
<input type="checkbox"/>	MT	1	DF1	M25	A1	S1	0

Please specify full model number to avoid ambiguity. If only the first two groups are specified while ordering, uncalibrated switches with standard wetted parts and enclosures will be supplied.