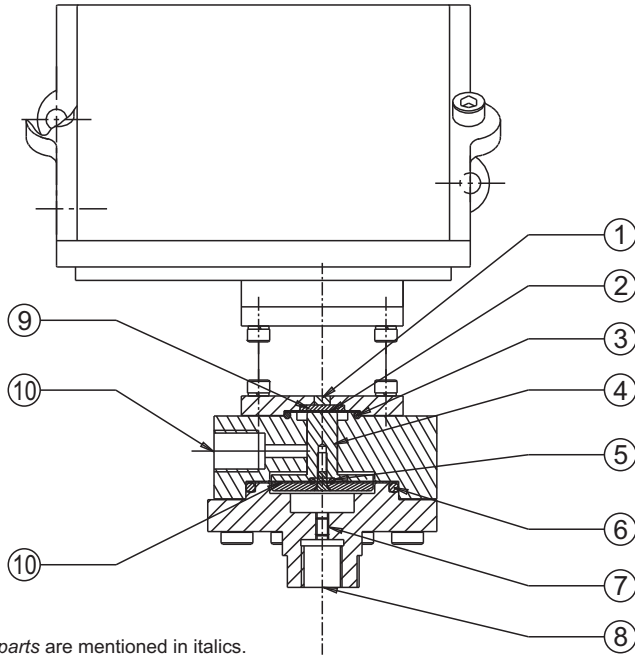


PRESSURE CAPSULE DETAILS



No. Description

1. Oper. Plunger (S.S.)*
2. Diaphragm (S.S.)
3. 'O' Ring (Teflon)
4. HP Plunger (S.S.)
5. 'O' Ring (Neoprene)
6. 'O' Ring (Teflon)
7. Surge Protection (S.S.)
8. High Pr. Port (S.S.)
9. Diaphragm Prot. (Silicon)
10. Low Pr. Port (S.S.)
11. Main Diaphragm (S.S.)

Note : *wetted parts* are mentioned in italics.

*Pressure ports are brazed with flange

INSTALLATION DRAWING

