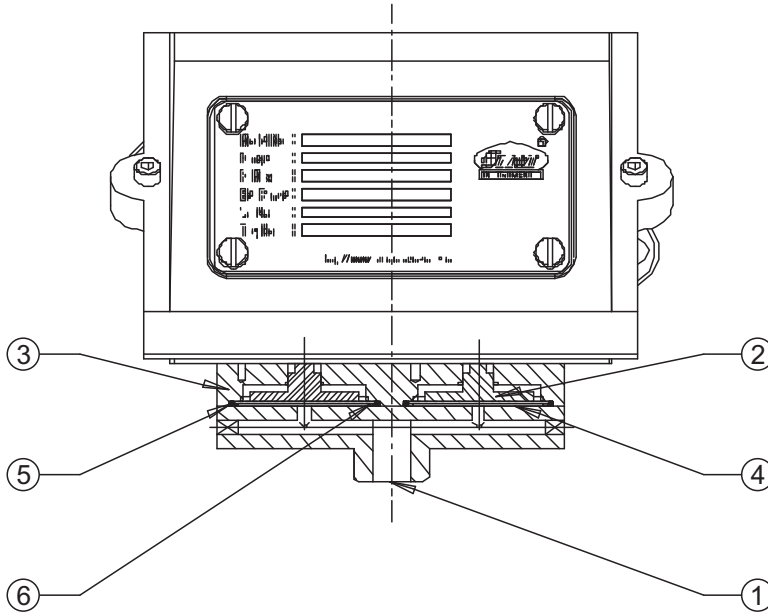


PRESSURE CAPSULE DETAILS



No. Description

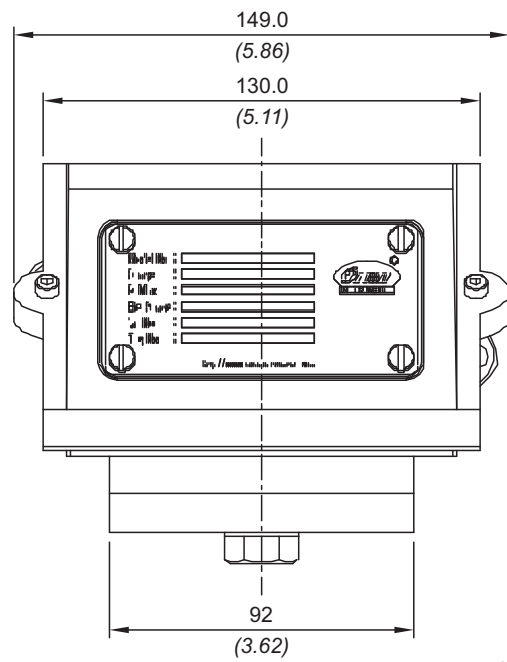
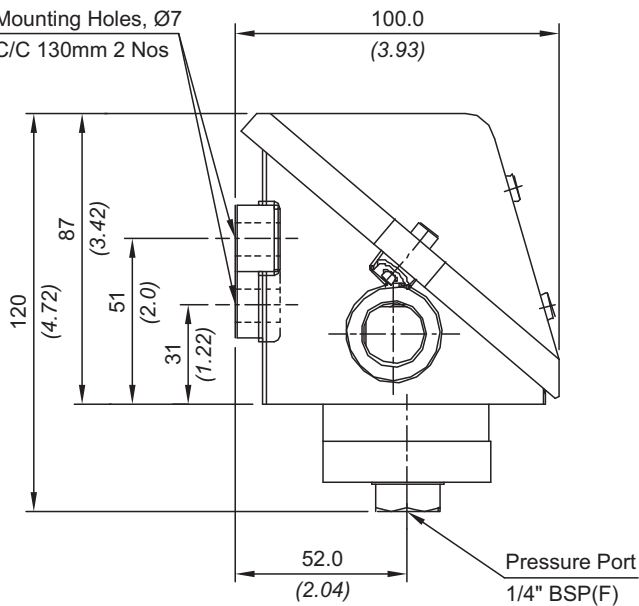
1. Pressure Port
2. Plunger
3. Disc Plate
4. Diaphragm
5. 'O' Ring
6. Backup Ring

Note : *wetted parts* are mentioned in italics.

*Pressure ports are brazed with flange

INSTALLATION DRAWING

Mounting Holes, Ø7
C/C 130mm 2 Nos



APPROX. DIMENSIONS IN $\frac{\text{mm}}{\text{inches}}$