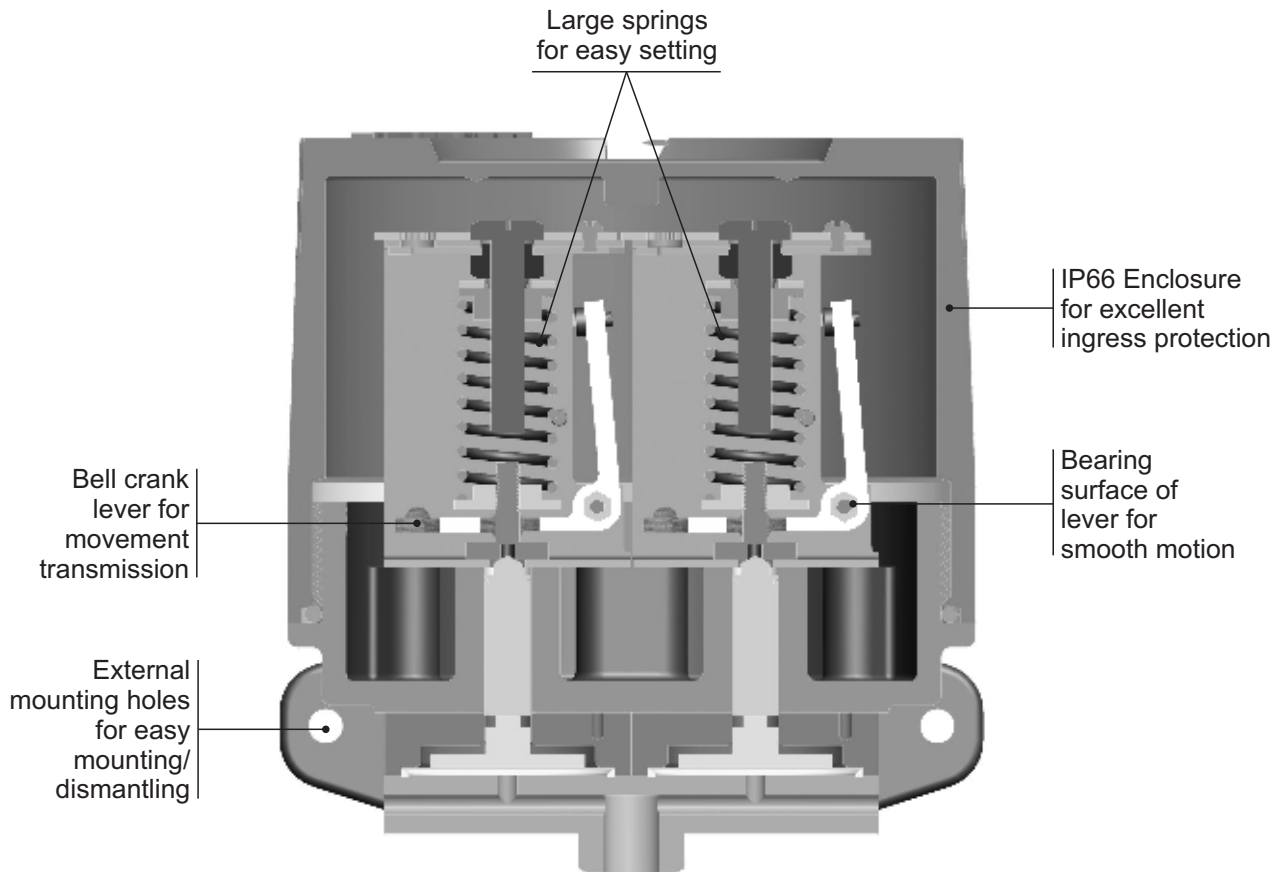


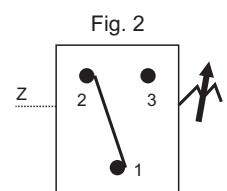
DS DUAL HIGH RANGE PRESSURE SWITCHES



Approximate Weight : 3.5 Kg.

Some Applications : Used when two independent set points are required for HI-HI, LO-LO or HI-LO applications, typically alarm and trip functions.

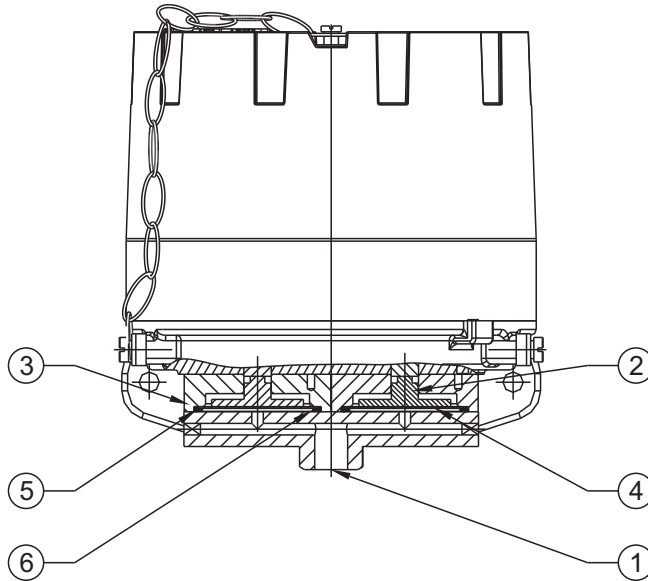
Electrical Connection :



DUAL HIGH RANGE PRESSURE SWITCHES DS



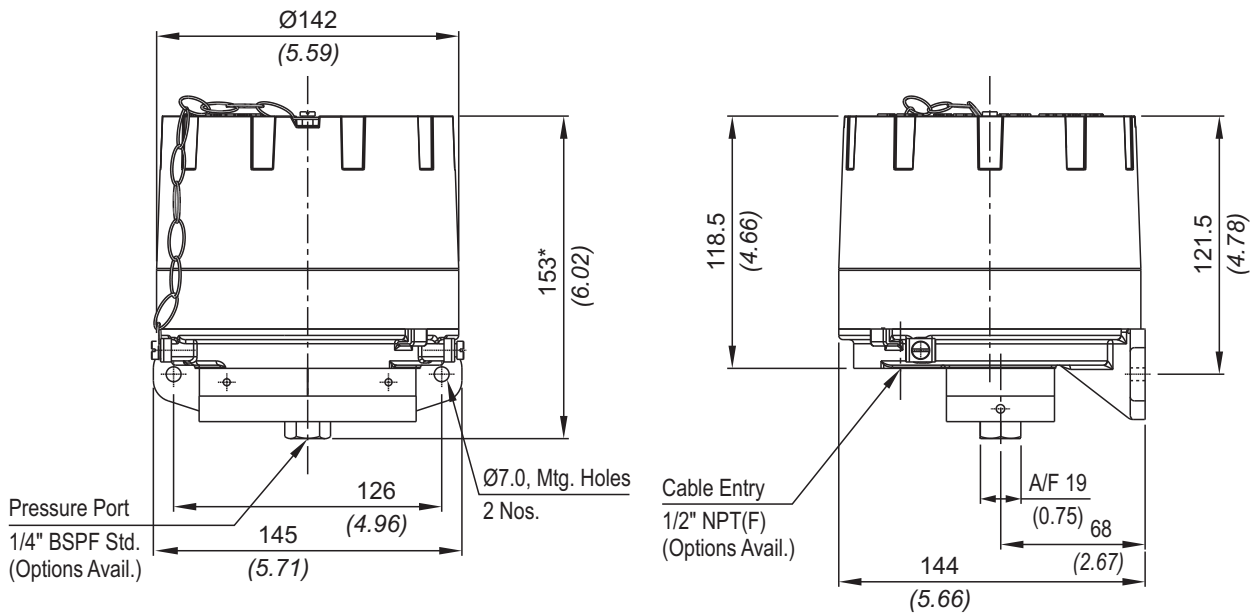
PRESSURE CAPSULE DETAILS



- No. Description**
1. Pressure Port
 2. Plunger
 3. Housing Plate
 4. Diaphragm
 5. O-Ring
 6. Backup Ring

Note : *wetted parts* are mentioned in italics.

INSTALLATION DRAWING



*164mm (6.45 inches) for range codes H4T, H1H and H2H

APPROX. DIMENSIONS IN $\frac{\text{mm}}{\text{inches}}$

DS DUAL HIGH RANGE PRESSURE SWITCHES

RANGE SELECTION TABLE

Range Code	Range bar (psi)	Differential* bar (psi)	Maximum Working Pressure bar (psi)
		Approximate Maximum for "A8" microswitch	
LP†	0.067 - 0.213 (0.97 - 3.09)	0.05 (0.72)	5 (72.52)
LP5	0.1 - 0.5 (1.45 - 7.25)	0.10 (1.45)	5 (72.52)
H01	0.1 - 1.0 (1.45 - 14.50)	0.10 (1.45)	12 (174.05)
H02	0.1 - 1.5 (1.45 - 21.76)	0.20 (2.90)	12 (174.05)
H03	0.2 - 2.6 (2.90 - 37.71)	0.20 (2.90)	12 (174.05)
H04	0.2 - 3.6 (2.90 - 52.21)	0.20 (2.90)	12 (174.05)
H07	0.5 - 7.0 (7.25 - 101.50)	0.40 (5.80)	12 (174.05)
H10	0.5 - 10.0 (7.25 - 145.04)	0.60 (8.70)	25 (362.6)
H15	1.0 - 15.0 (14.50 - 217.56)	0.60 (8.70)	25 (362.6)
H30	5.0 - 25.0 (72.52 - 362.6)	0.80 (11.60)	35 (507.63)
H4T	5.0 - 40.0 (72.52 - 580.15)	5 (72.52)	200 (2900.76)
H1H	10.0 - 100.0 (146.04 - 1450.38)	12 (174.05)	200 (2900.76)
H2H	7.0 - 200.0 (101.52 - 2900.76)	24 (348.09)	400 (5801.88)

*Minimum differential increases with setpoint (Graphs available on request), results for neoprene diaphragm.

†Range not available in SS316 L diaphragm.

HOW TO ORDER INDUSTRIAL DUAL HIGH RANGE PRESSURE SWITCHES

DUAL HIGH RANGE PRESSURE SWITCHES

DS

Group 1	Group 2	Group 3	Group 4	Group 5	Group 6	Group 7	Group 8
Non standard allocation	Model	Cable Entry Size	Switch Type	Range Code (values in bar)	Microswitch Type	Pressure Port Material / Size	Diaphragm
<input type="checkbox"/> Reserved for non-standard options not covered in catalogue. Will be given by manufacturer, only after agreement of supply details with customer.	DS = Dual pressure switch with cast aluminium enclosure to IP66 as per IS2147	1 = 1/2" NPT threads 2 = 3/4" NPT threads 3 = M20 X 1.5 threads	PF2 = pressure switch, fixed differential with scale in bar PF3 = pressure switch, fixed differential with scale in psi *PA2 = pressure switch, adjustable differential with scale in bar *PA3 = pressure switch, adjustable differential with scale in psi <i>*Available with A9 (in group 6) only</i>	LP = (0.067 - 0.213) LP5 = (0.1 - 0.5) H01 = (0.1 - 1.0) H02 = (0.1 - 1.5) H03 = (0.2 - 2.6) H04 = (0.2 - 3.6) H07 = (0.5 - 7.0) H10 = (0.5 - 10.0) H15 = (1.0 - 15.0) H30 = (5.0 - 25.0) H4T = (5.0 - 40.0) H1H = (10.0 - 100.0) H2H = (7.0 - 200.0)	A8 = General purpose microswitch rated at 5A; 250 VAC A7 = 2SPDT microswitches A9 = General purpose microswitch rated @ 5A, 250 VAC	S1 = SS316 / 1/4" BSP(F) S2 = SS316 / 1/4" NPT(F) 0 = Neoprene 1 = Teflon 2 = SS 316L	

Please refer page no. 226 & 227 for more pressure port options

* Please refer note under Range Selection Table

eg. A dual pressure switch with fixed differential having 0.1 bar to 1 bar pressure range, with 5 Amp. microswitch, SS316 pressure housing with 1/4" BSP port size & neoprene diaphragm shall be specified by

Group 1	Group 2	Group 3	Group 4	Group 5	Group 6	Group 7	Group 8
<input type="checkbox"/>	DS	3	PF2	H01	A8	S1	0

Please specify full model number to avoid ambiguity.