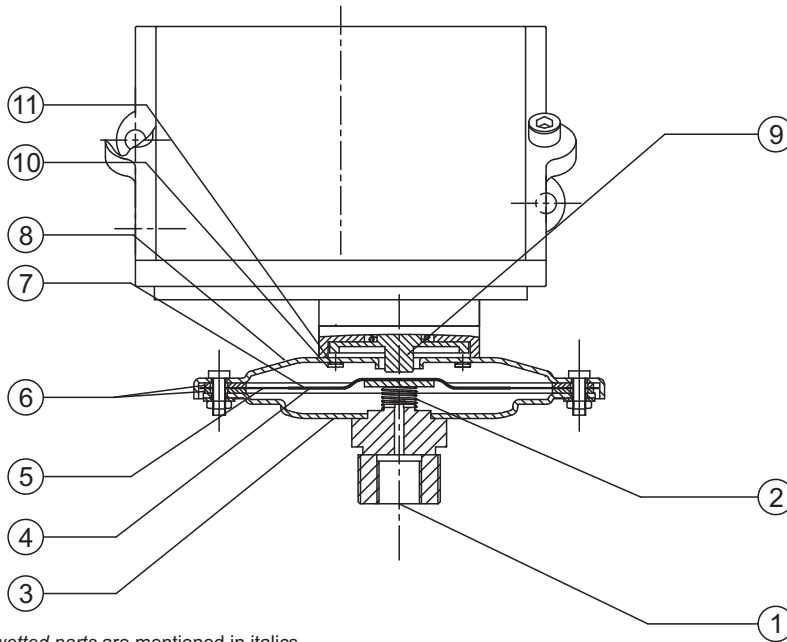


PRESSURE CAPSULE DETAILS



No. Description

1. Pressure port (M.S.)*
2. Support spring (S.S.)
3. Bottom flange (M.S.)
4. Support plate (Aluminium)
5. Diaphragm (Neoprene)
6. Gasket (Nitrile)
7. Top plate (Aluminium)
8. Top flange (M.S.)
9. Plunger
10. Top flange screw (M.S.)
11. Sealing 'O' ring (Nitrile)

*Pressure port is brazed with flange

Note : *wetted parts* are mentioned in italics.

*Pressure ports are brazed with flange

INSTALLATION DRAWING

