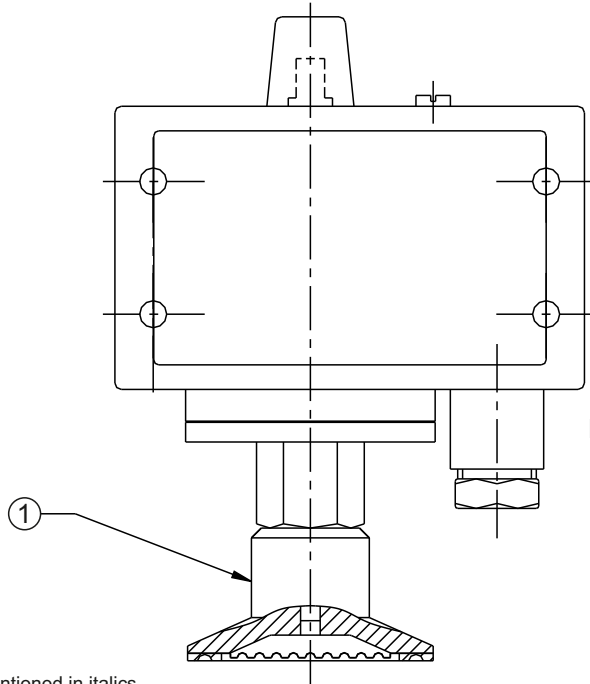


MG / ME HYGIENE RANGE PRESSURE SWITCHES



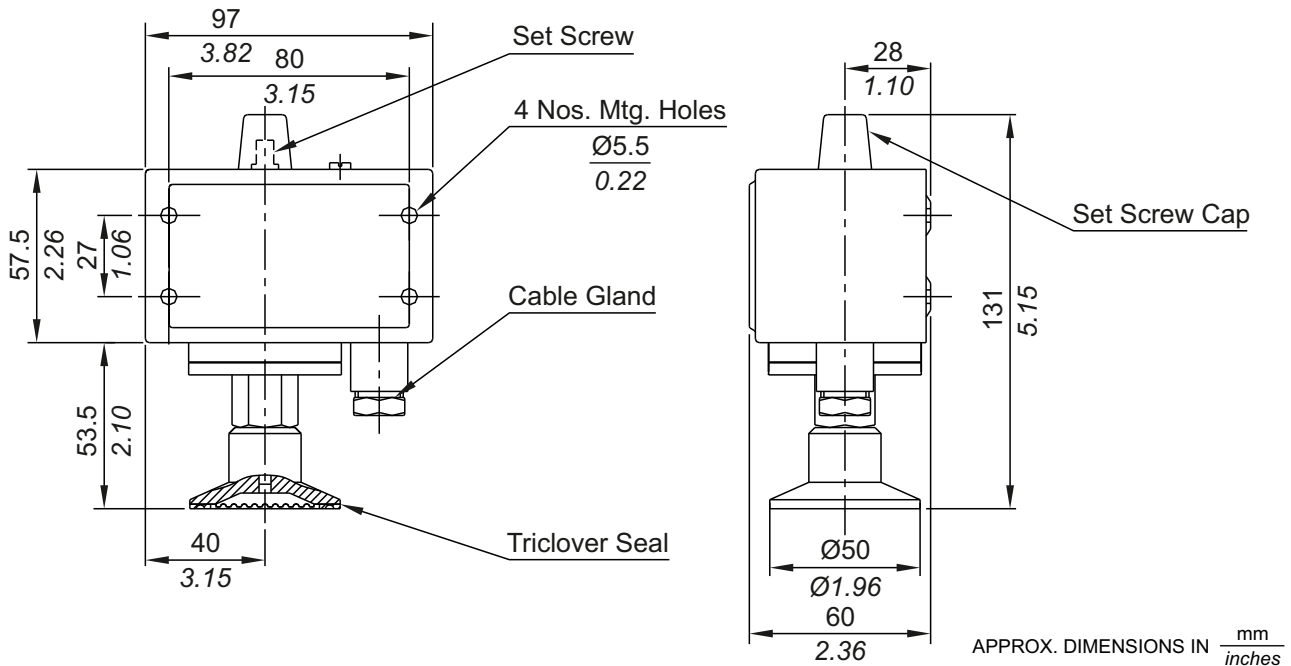
PRESSURE CAPSULE DETAILS



- No. Description**
 1. *Triclover seal (SS316L)*

Note : *wetted parts* are mentioned in italics.

INSTALLATION DRAWING



HYGIENE RANGE PRESSURE SWITCHES

MG / ME

General information:

MG series pressure switches are housed in pressed steel powder coated enclosure and are recommended for panel mounting or indoor service. The repeat accuracy is better than $\pm 1.5\%$ FSR. A 3/8" cable entry is provided for cables and a terminal strip suitable for wired ends is provided inside the enclosure. Pressure port is a triclover seal.

Features:

- Compact
- Electrical rating : 5A, 250 VAC; 0.2A, 250VDC (res.)
- Pressure port: Triclover / 1/4" BSPF

Some Applications : Used in pharma industries, food industry, bulk drugs, dairy products, etc.

Range Selection Table

Range Code	Range † bar (psi)	MG		ME	
		*Approximate Maximum Differential bar (psi)	*Adjustable Differential bar (psi)	Maximum Working Pressure bar (psi)	Maximum Working Pressure bar (psi)
H01	0.1 - 1.0 (1.45 - 14.50)	0.10 (1.45)	0.25 - 1.5 (3.62 - 21.75)	12 (171.43)	
H02	0.1 - 1.5 (1.45 - 21.76)	0.12 (1.74)	0.28 - 1.5 (4.06 - 21.75)	12 (171.43)	
H03	0.2 - 2.6 (2.86 - 37.14)	0.20 (2.86)	0.3 - 1.5 (4.29 - 21.43)	12 (171.43)	
H04	0.2 - 3.6 (2.86 - 51.43)	0.20 (2.86)	0.4 - 1.5 (5.80 - 21.43)	12 (171.43)	
H07	0.5 - 7.0 (7.14 - 100.00)	0.40 (5.71)	1.0 - 6.0 (14.29 - 85.71)	12 (171.43)	
H10	0.5 - 10.0 (7.14 - 142.86)	0.60 (8.57)	2.0 - 8.0 (29.00 - 114.29)	25 (357.14)	
H15	1.0 - 15.0 (14.29 - 214.29)	0.60 (8.57)	2.5 - 10.0 (36.25 - 142.86)	25 (357.14)	

*Minimum differential increases with setpoint (Graphs available on request)
† rising pressure for MG series; falling pressure for ME series

How to order MG/ME series high range triclover pressure switches.

Group 1	Group 2	Group 3	Group 4	Group 5	Group 6
Model	Range Code	Range Scale	Pressure Housing	Triclover Size	Enclosure
MG - Fixed Differential Triclover Pressure Switch ME - Adj. Differential Triclover Pressure Switch	H - High range Pressure Switch	C - Without Knob K - With Knob	T - Triclover SS316L S - SS316L (1/4" BSPF Pressure port) A - Aluminium (1/4" BSPF Pressure port)	1 - No Triclover (PTFE diaphragm) B - 1.5" OD C - 2" OD	0 - IP 40

eg. A fixed differential triclover pressure switch, high pressure range from 0.5 - 7.0 bar with knob style with triclover pressure housing with 1 & 1/2" triclover size shall be specified by

Group 1	Group 2	Group 3	Group 4	Group 5	Group 6
MG	H07	K	T	B	0

Please specify full model number to avoid ambiguity. If only the first two groups are specified while ordering, calibrated switches with standard wetted parts will be supplied.