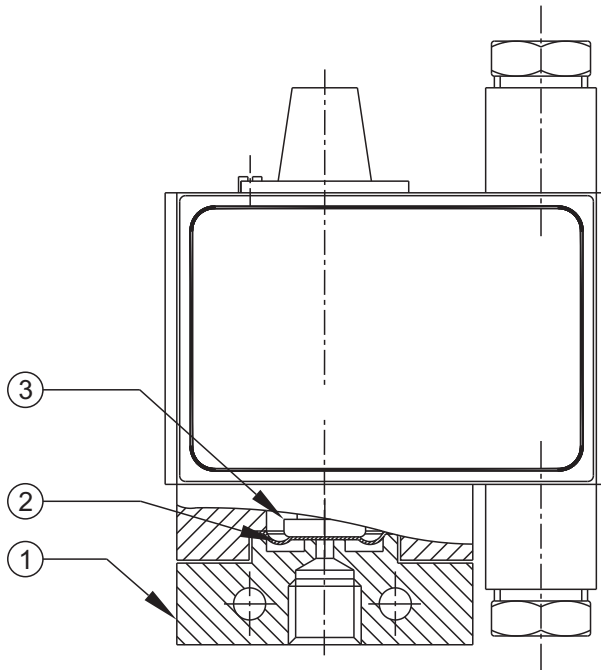


MK

2 SPDT HIGH RANGE PRESSURE SWITCHES (adjustable stage difference)



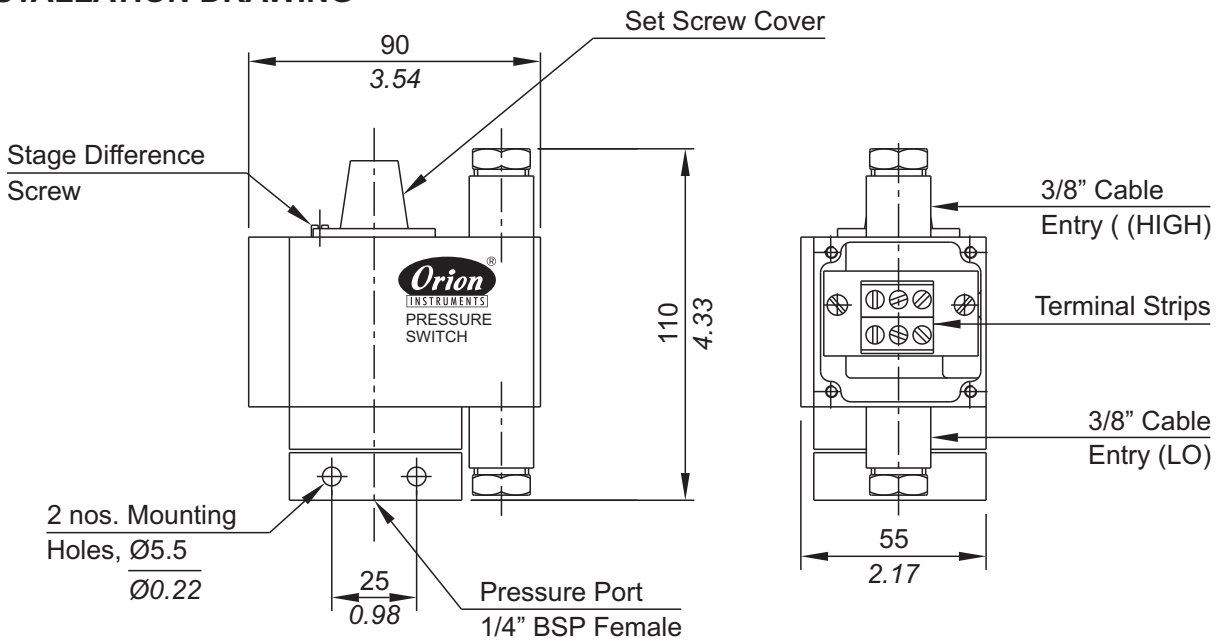
PRESSURE CAPSULE DETAILS



- No. Description**
- 1. Pressure housing
 - 2. Diaphragm
 - 3. Plunger

Note : *wetted parts* are mentioned in italics.

INSTALLATION DRAWING



APPROX. DIMENSIONS IN $\frac{\text{mm}}{\text{inches}}$

2 SPDT HIGH RANGE PRESSURE SWITCHES (adjustable stage difference)

MK

General information:

MK series pressure switches are housed in pressure die cast aluminium powder coated enclosure and are recommended for panel mounting or outdoor service based on the type of enclosure opted for. Stage differential can be set in these 2SPDT versions (MK series). Both microswitches are synchronised for operation such that the stage difference (or gap) can be adjusted from minimum 15 % of FSR to a maximum of 50% of FSR (on falling setpoints). The scale indicates falling setpoint for low microswitch. The repeat accuracy is better than $\pm 2\%$ FSR. 3/8" cable entries are provided for cables and a terminal strip suitable for wired ends is fitted inside the enclosure. Other variations for cable termination, such as plugin connectors can be provided. Pressure port is 1/4" BSPF standard.

Features:

- Compact
- Separate chamber for working parts
- Adjustable stage difference
- Choice of wetted parts to suit working media
- Electrical rating : 5A, 250 VAC; 0.2 A, 250 VDC (res.)
- Proof pressure available can be 4 times MWP (optional)
- Pressure port: 1/4" BSPF

Some Applications : Used in systems requiring an alarm and trip function, e.g. HI-HI/Lo-Lo setpoints, etc. Also used in transformers.

Range Selection Table

Range Code	Range (falling pressure) bar (psi)	*Approximate Maximum Differential (Fixed) for low microswitch bar (psi)	* Approximate Maximum Differential (Fixed) for high microswitch at minimum gap bar (psi)	* Approximate Maximum Differential (Fixed) for high microswitch at maximum gap bar (psi)	Maximum Working Pressure bar (psi)
H01	0.1 - 1.0 (1.45 - 14.50)	0.15 (2.18)	0.4 (5.80)	1.5 (21.75)	12 (174.05)
H02	0.1 - 1.5 (1.45 - 21.76)	0.20 (1.45)	0.5 (7.25)	1.8 (26.11)	12 (174.05)
H03	0.2 - 2.6 (2.90 - 37.71)	0.20 (2.90)	0.5 (7.25)	1.0 (14.50)	12 (174.05)
H04	0.2 - 3.6 (2.90 - 52.21)	0.20 (2.90)	0.5 (7.25)	1.0 (14.50)	12 (174.05)
H07	0.5 - 7.0 (7.25 - 101.52)	0.40 (5.80)	1.5 (21.75)	2.5 (36.26)	12 (174.05)
H10	0.5 - 10.0 (7.25 - 145.04)	0.60 (8.70)	1.5 (21.75)	4.5 (65.27)	25 (362.6)
H15	1.0 - 15.0 (14.50 - 217.71)	0.8 (11.60)	2.0 (29.00)	6.5 (94.27)	25 (362.6)
H30	5.0 - 25.0 (72.52 - 362.6)	1.50 (21.75)	2.5 (36.26)	12.0 (174.05)	35 (507.63)

*Minimum differential increases with setpoint (Graphs available on request)

How to order MK series high range pressure switches

Group 1	Group 2	Group 3	Group 4	Group 5	Group 6
Model	Range Code	Range Scale	Pressure Housing	Diaphragm	Enclosure
MK- 2 SPDT Fixed differential switch with adjustable stage difference	H - High Pressure range	U - without scale C - with a scale corr. to low microswitch	A - Aluminium B - Brass S - SS 316	0 - Neoprene 1 - Teflon	0 - Standard (IP 54) 1 - IP65 as per IS 2147
			for special wetted parts through chemical seals, please refer page 330,331 & 332 and specify in text accordingly.		

eg. A 2 SPDT High Range Pressure switch with adjustable stage difference, high pressure range from 1-10 bar in calibrated style with brass pressure housing, a teflon diaphragm & a standard enclosure shall be specified by

Group 1	Group 2	Group 3	Group 4	Group 5	Group 6
MK	H10	C	B	1	0

Please specify full model number to avoid ambiguity. If only the first two groups are specified while ordering, uncalibrated switches with standard wetted parts and enclosures will be supplied.