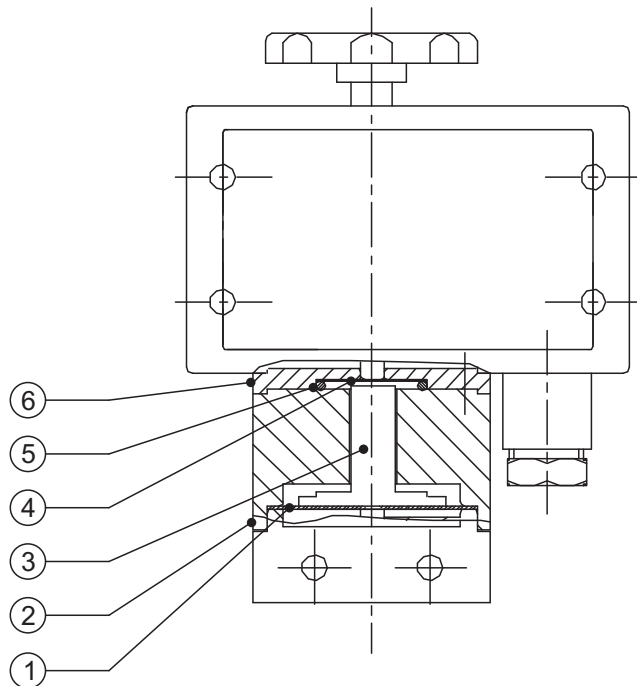


MG VACUUM SWITCHES



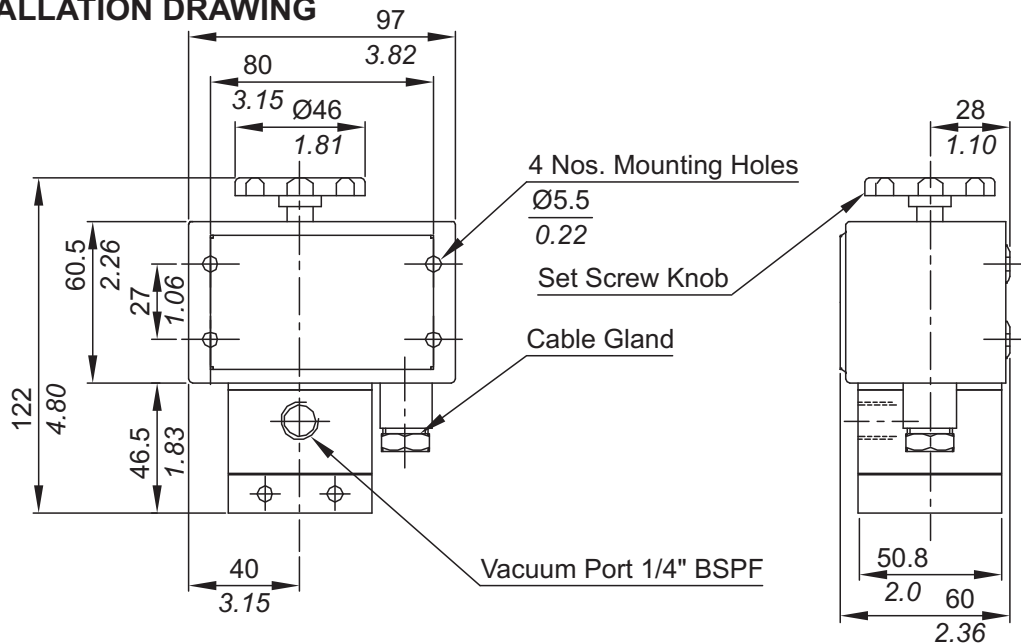
PRESSURE CAPSULE DETAILS



- | No. | Description |
|-----|-------------------------------------|
| 1. | <i>Diaphragm</i> |
| 2. | <i>Disc</i> |
| 3. | <i>Plunger (SS 316)</i> |
| 4. | <i>Sealing diaphragms (Teflon®)</i> |
| 5. | <i>Sealing 'O' ring (Teflon®)</i> |
| 6. | Junction Plate |

Note : *wetted parts* are mentioned in italics.

INSTALLATION DRAWING



APPROX. DIMENSIONS IN $\frac{\text{mm}}{\text{inches}}$

GENERAL INFORMATION :

MG series vacuum switches are housed in pressed steel powder coated enclosure and are recommended for panel mounting or indoor service. The repeat accuracy is better than $\pm 1.5\%$ FSR. A 3/8" cable entry is provided for cables and a terminal strip suitable for wired ends is provided inside the enclosure. Pressure port is 1/4" BSPF standard.

FEATURES :

- Compact
- Separate chamber for working parts
- Choice of wetted parts to suit working media
- Electrical rating : 5A, 250VAC; 0.2A, 250 VDC
- Pressure port : 1/4" BSPF

RANGE SELECTION TABLE

Range code	Range vacuum (falling) mm Hg ("Hg)	*Approximate Maximum Differential (Fixed) mm Hg ("Hg)	Maximum Working Pressure bar (psi)
V00	† 760 - 100 (29.92 - 3.94)	100 (3.94)	12 (171.43)

* Minimum differential increases with setpoint (Graphs available on request)

† Typical values achieved at sea level, total vacuum that can be achieved varies mainly with altitude.

HOW TO ORDER MG VACUUM SWITCHES

Group 1	Group 2	Group 3	Group 4	Group 5	Group 6
Model	Range Code	Range Scale	Disc	Diaphragm	Enclosure
MG - Fixed differential Vacuum Switch	V00 - High range vacuum Switch	C-calibrated K-with knob	A-Aluminium B-Brass S-SS316	0- Neoprene 1-Teflon	0 - Standard (IP54)

Eg. A fixed differential vacuum switch, high range from 760 mm Hg vac. To 100 mm Hg vac. in calibrated style, with aluminium pressure housing, a Teflon diaphragm & a standard enclosure shall be specified by

Group 1	Group 2	Group 3	Group 4	Group 5	Group 6
MG	V00	C	A	1	0

Please specify full model number to avoid ambiguity. If only the first two groups are specified while ordering, uncalibrated switches with standard wetted parts and enclosures will be supplied.